

Panel Mount High Brightness Display

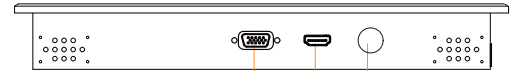
12.1"

Specifications



Model Name	R12T600-PML1HB
Panel Size	12.1"
Active Display Area(mm)	246.0 (H) x 184.5(V)
Resolution	800x600
Brightness(cd/m2)	1000 (Typical)
Contrast Ratio	700:1 (Typical)
Viewing Angles(CR>=10)	-80~80(H) ; -75~65(V)
Display Colors	16.2M (6 bits/color)
Standard Input Signal	1 x VGA (D-sub 15) 1 x HDMI (Type-A)
Touch Screen(Optional-1)	Resistive Touch Protective Glass
Touch Screen(Optional-2)*	SAW Touch (Surface Acoustic Wave)
Touch Interface	USB / RS232
Audio / Speakers (Optional)*	Audio line in (3.5mm) + Speaker x2
OSD	5 Keys: -, +, Power, Esc, Enter
Power Input	12V DC input (2.5ψ) with external AC-DC Adapter (100V~240V)
Power Consumption	16W typical, Normal operation
Operating temperature	0~50°C
Storage Temperature	-10~60 °C
Accessories	Power AC-DC Adapter(100V~240V) VGA cable (1.8m) HDMI cable (2m)

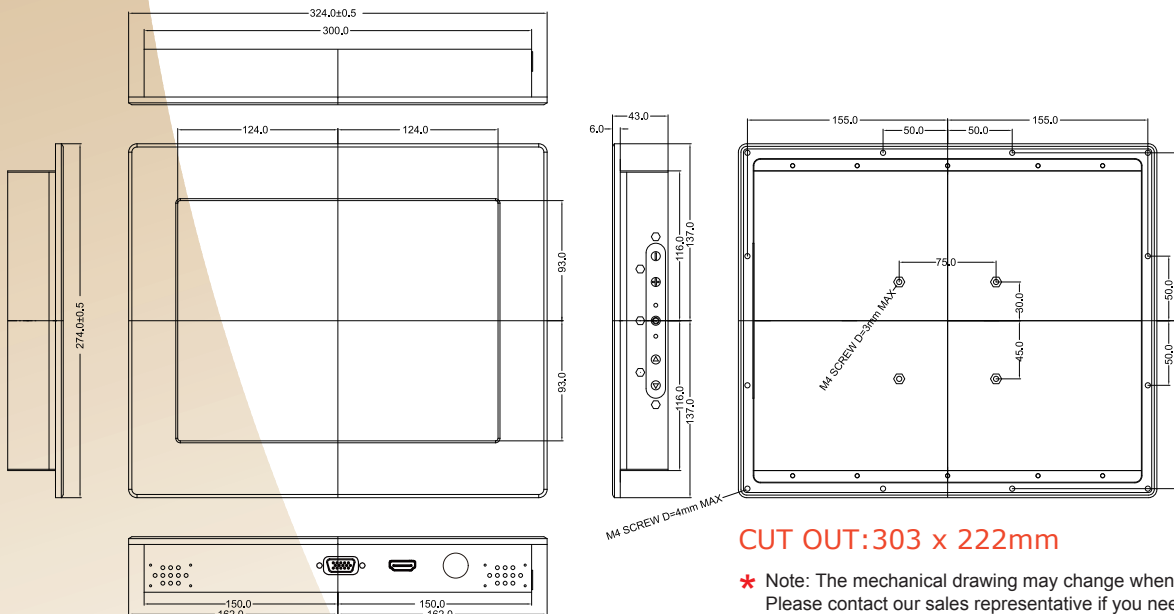
*Outside dimension and I/O will be different from standard



1. VGA
2. HDMI
3. DC Input

I/O Optional	
Optional 1*	1 x VGA (D-sub 15) 1 x HDMI (Type-A) 1 x DVI-D
Optional 2*	1 x VGA (D-sub 15) 1 x DVI-D 1 x S-Video 1 x Composite

Mechanical Drawing



* Note: The mechanical drawing may change when adding touch screen. Please contact our sales representative if you need further product information.