

## GS65 Display

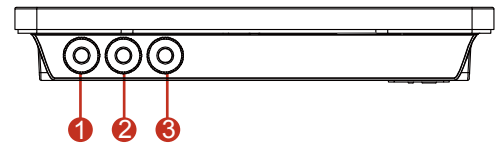


### 10.1"

#### Specifications

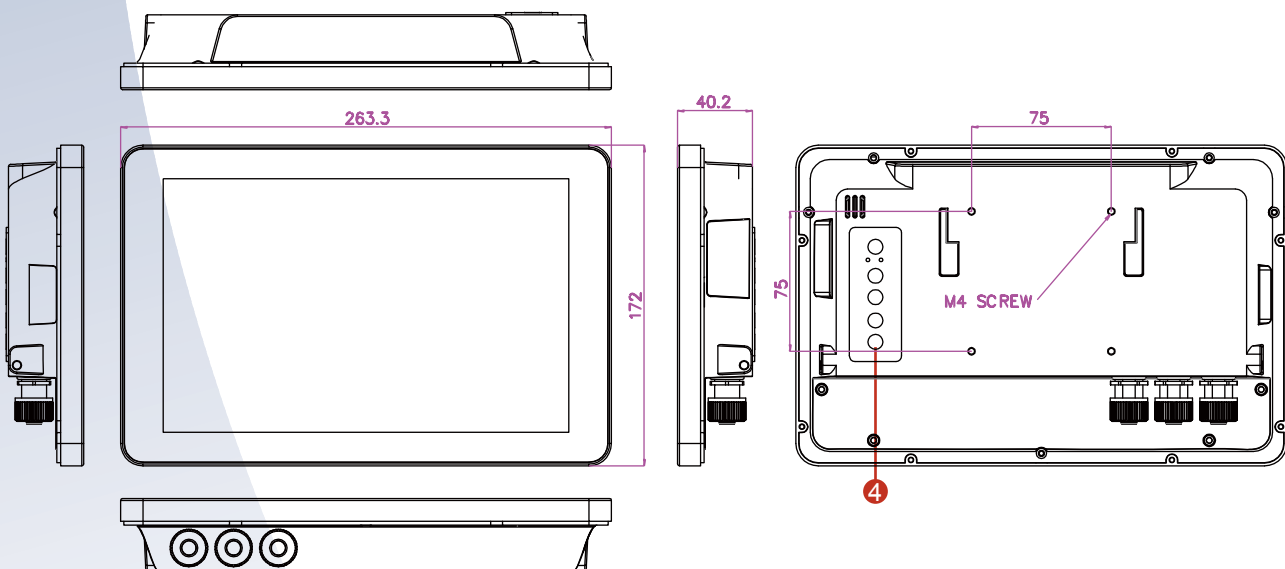


Model Name	W10L100-GSH1(HB)
Viewable Size Image	10.1" TFT (Widescreen)
Active Display Area(mm)	222.72 (H) x 125.28 (V)
Display Resolution	1024x600
Pixel Pitch(mm)	0.2175 (H) x 0.2088 (V)
Recommended Resolution	1024 x 600
Contrast Ratio	800:1 (typ.)
Brightness(cd/m <sup>2</sup> )	420 cd/m <sup>2</sup> (typ.) optional for High Brightness 800 cd/m <sup>2</sup> (typ.)
Viewing Angle(CR>=10)	-75~80 (H); -80~80 (V)
Power Source	9~36V DC (M12 type)
Power Consumption	15 W typical, normal operation
Power Management	VESA DPMS Compliant
Plug & Play	Yes
Input Ports	1 x VGA, 1 x USB for Touch
Touch Screen	Projective Capacitive Touch(USB) (optional protection glass)
Operating Temperature	-15°C~55°C
Storage Temperature	-30°C~70°C
Operating Humidity	10%~95% (non-condensing)
IP Rating	Full IP65
Shock Operating	30g for 18ms, 300m/s <sup>2</sup>
Vibration Operating	1.60/1.96/2.18 g rms for XYZ/ 5-500Hz
Certifications & Standards	Compliant with MIL-STD-810F/G for vibration / shock, CE, FCC



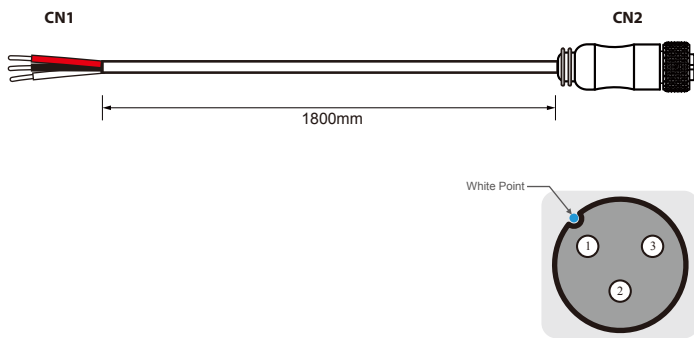
1. 9~36V DC (M12 type)
2. VGA (M12 type)
3. USB For Touch(M12 type),  
only with Touch
4. OSD Power

#### Mechanical Drawing



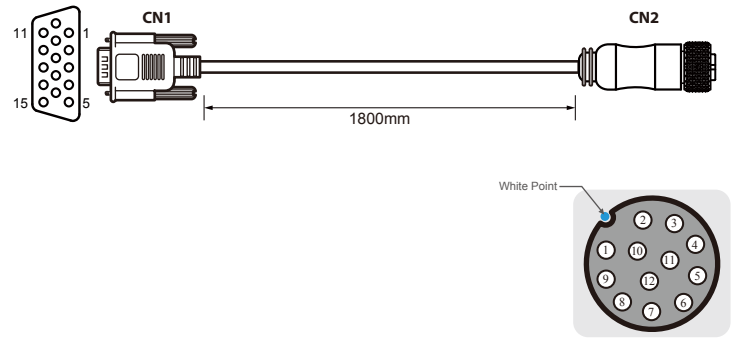
## GS65 Display

### M12 Power Cable



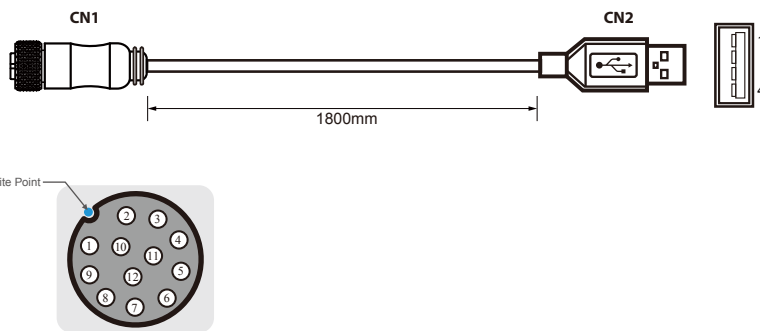
Pin No.	Symbols	Color		Pin No.	Symbols	Color
CN1-1	VCC+	Red	↔	CN2-1	VCC+	Red
CN1-2	GND	Black	↔	CN2-2	GND	Black
CN1-3	VCC-	White	↔	CN2-3	VCC-	White

### VGA Cable



Pin No.	Symbols	Color		Pin No.	Symbols	Color
CN1-1	R	Red	↔	CN2-1	R	Red
CN1-6	R-GND	Black	↔	CN2-2	R-GND	Black
CN1-5	G	Green	↔	CN2-3	G	Green
CN1-7	G-GND	Black	↔	CN2-4	G-GND	Black
CN1-3	B	Blue	↔	CN2-5	B	Blue
CN1-8	B-GND	Black	↔	CN2-6	B-GND	Black
CN1-12	SDA	Yellow	↔	CN2-7	SDA	Yellow
CN1-13	HS	Orange	↔	CN2-8	HS	Orange
CN1-14	VS	White	↔	CN2-9	VS	White
CN1-15	SCL	Brown	↔	CN2-10	SCL	Brown

### USB for Touch Cable



Pin No.	Symbols	Color		Pin No.	Symbols	Color
CN1-2	VCC	Red	↔	CN2-1	VCC	Red
CN1-3	D-	White	↔	CN2-2	D-	White
CN1-4	D+	Green	↔	CN2-3	D+	Green
CN1-5	GND	Black	↔	CN2-4	GND	Black
CN1-9	GND	Black	↔	CN2 Shell		Black

twisted pairs