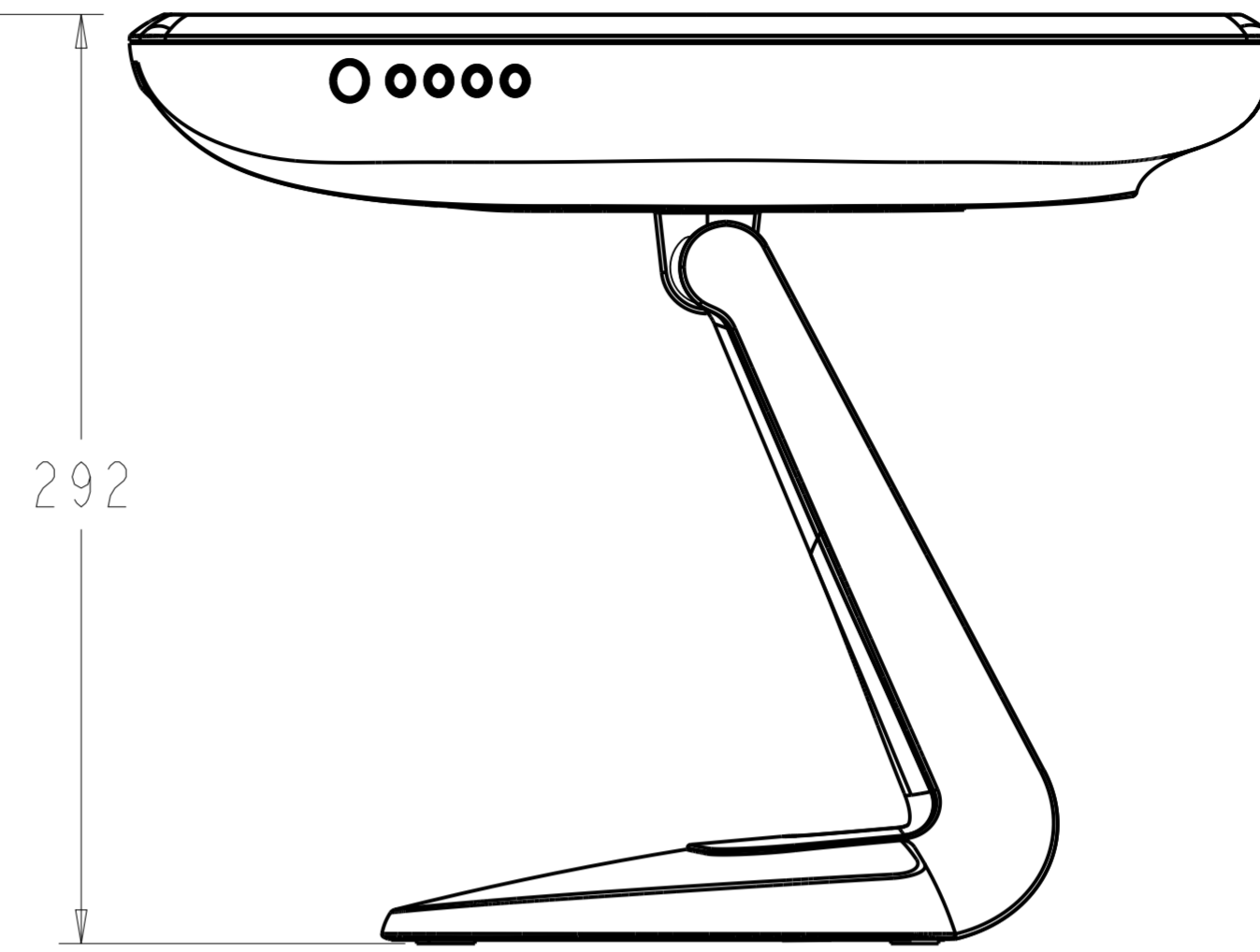
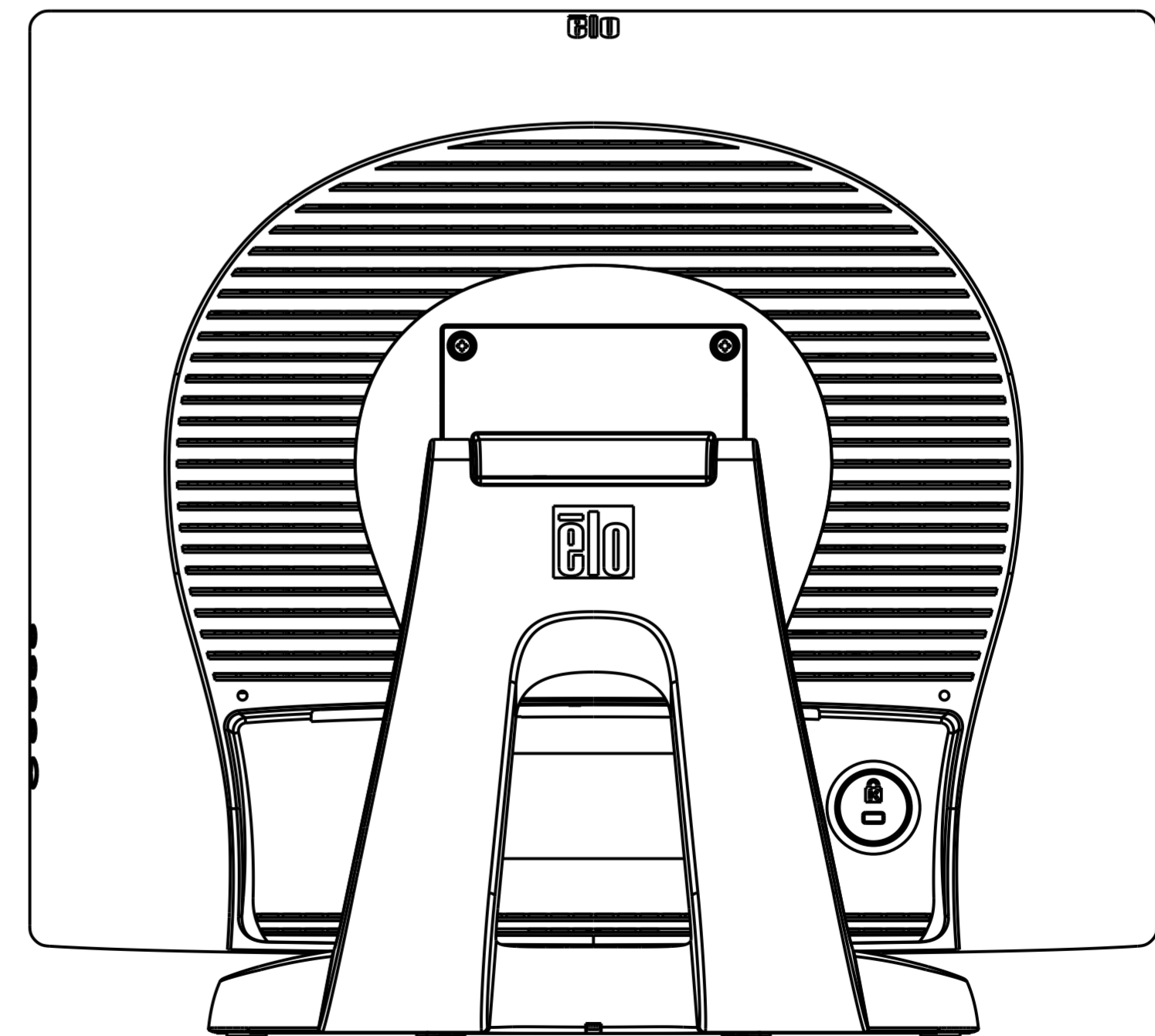
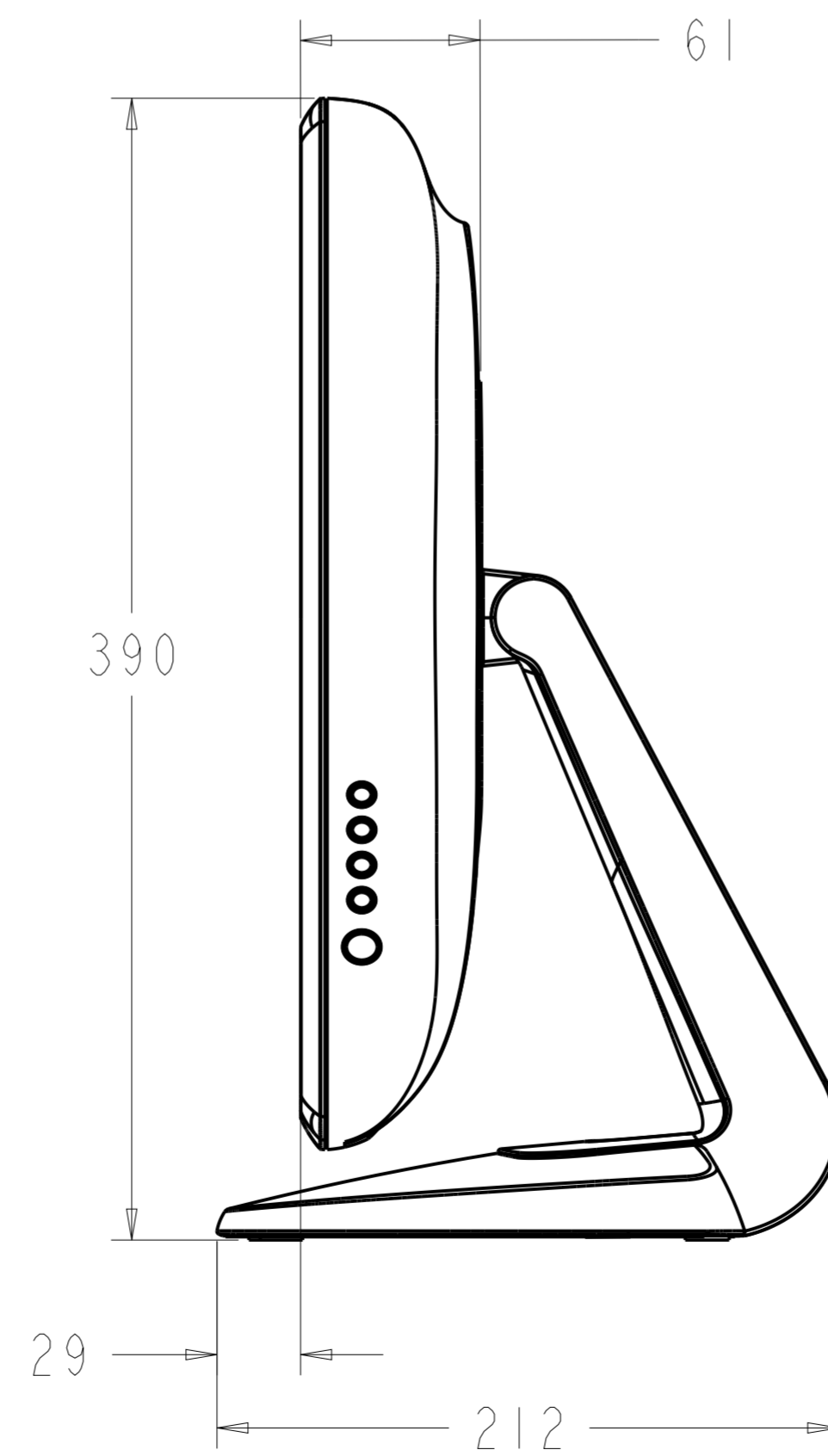
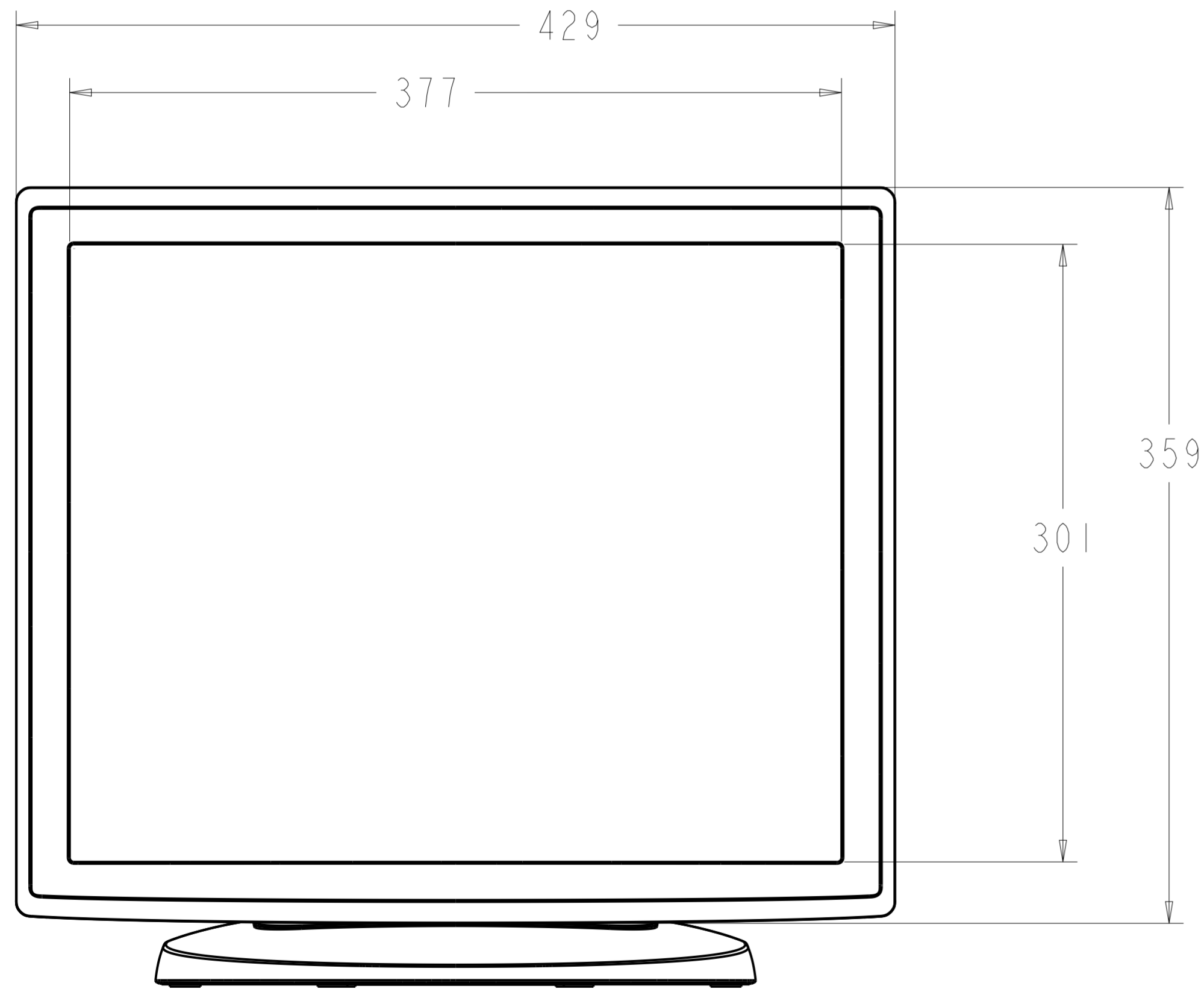
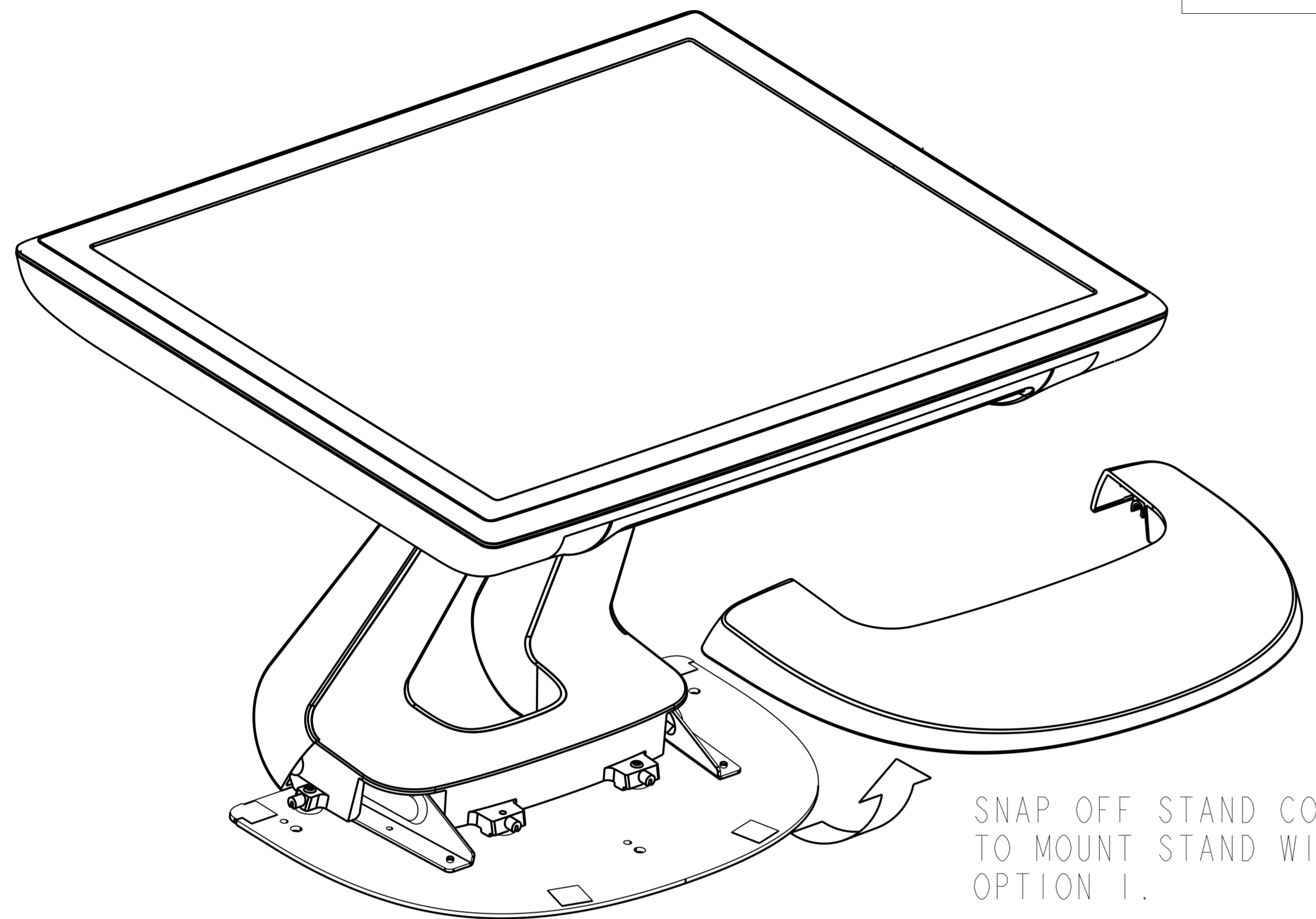


TILT -5° FROM VERTICAL



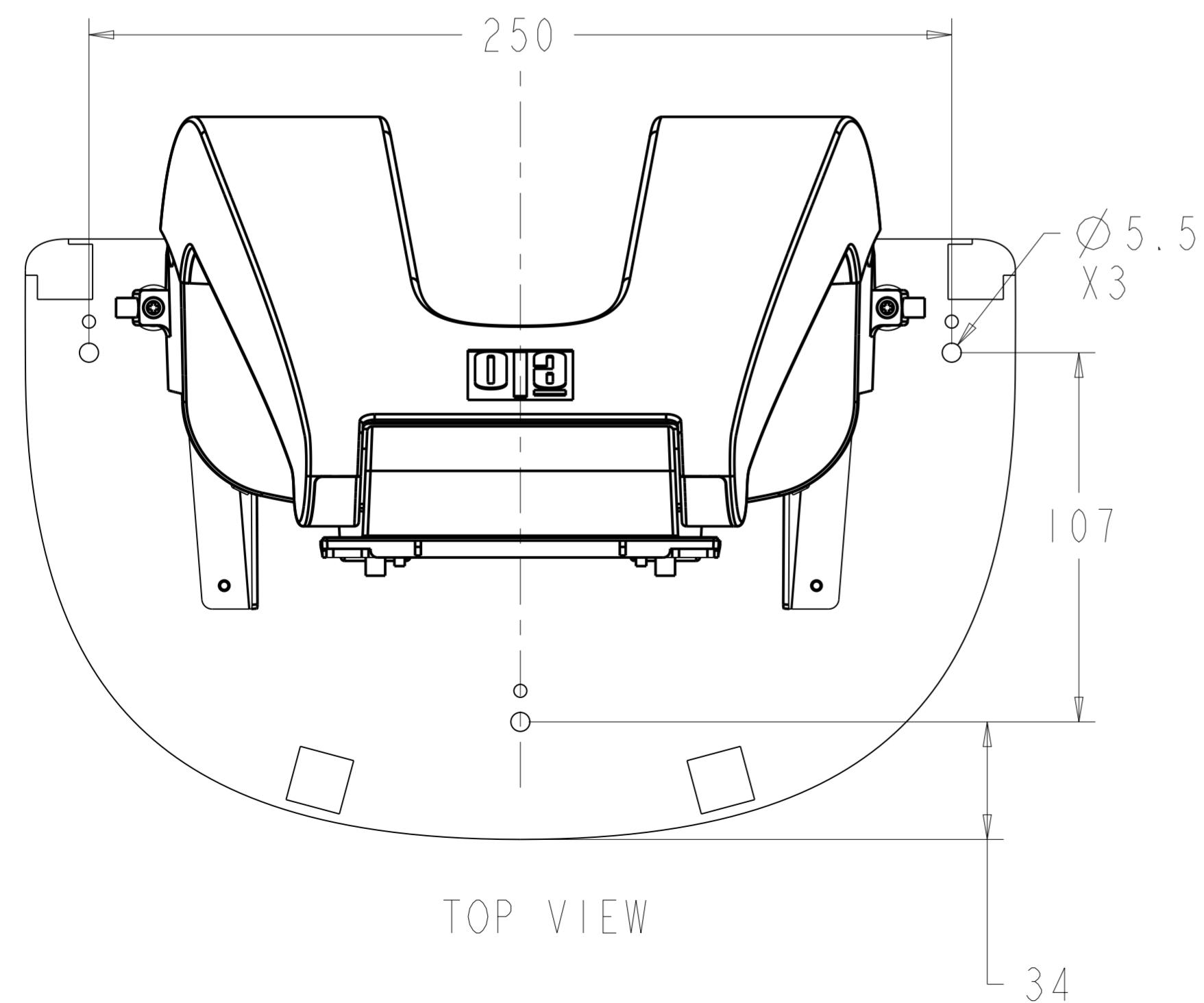
TILT 90° FROM VERTICAL





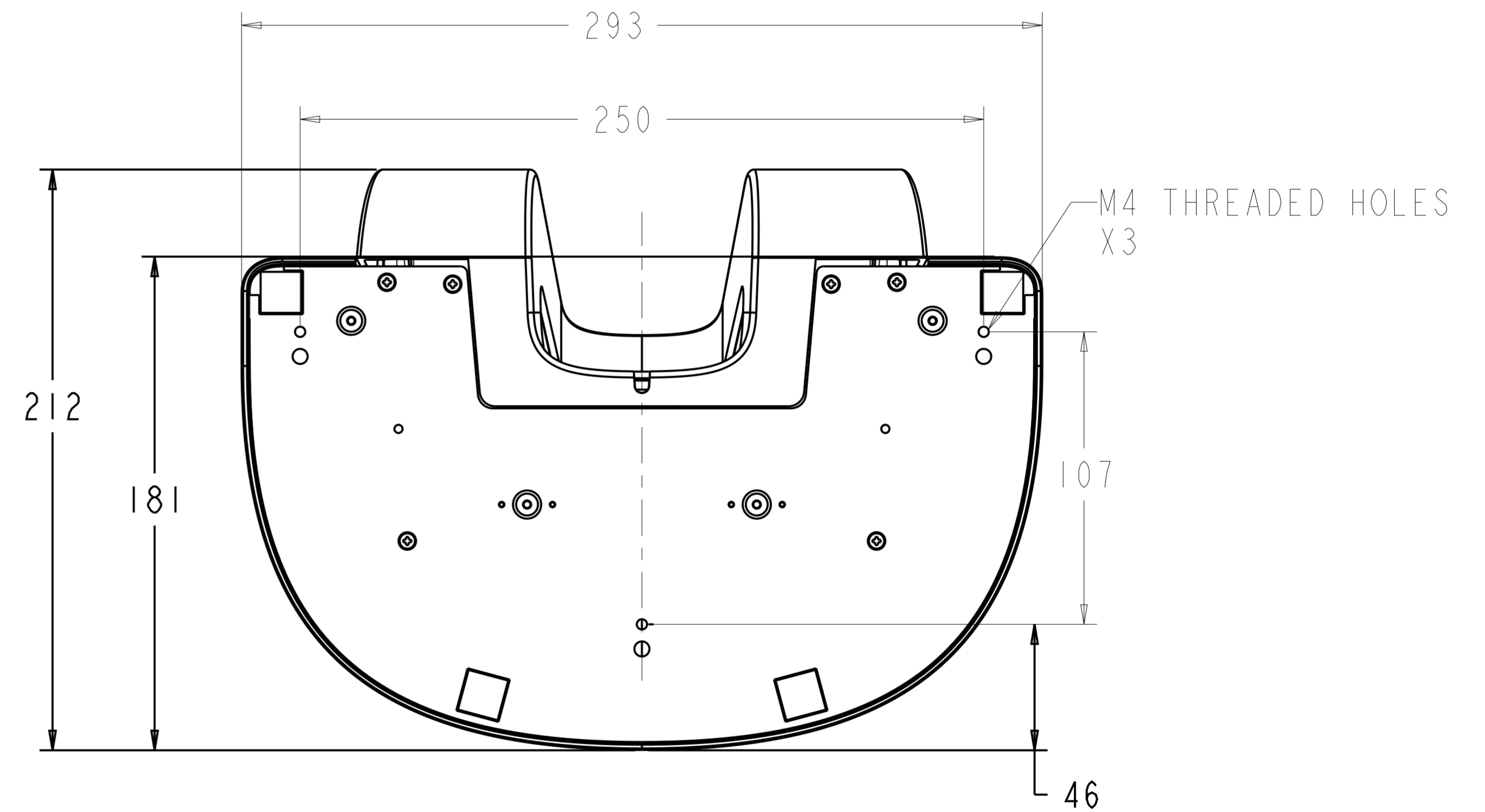
**MOUNT OPTION 1**

SNAP OFF STAND COVER  
TO MOUNT STAND WITH  
OPTION 1.



TOP VIEW

**MOUNT OPTION 2**

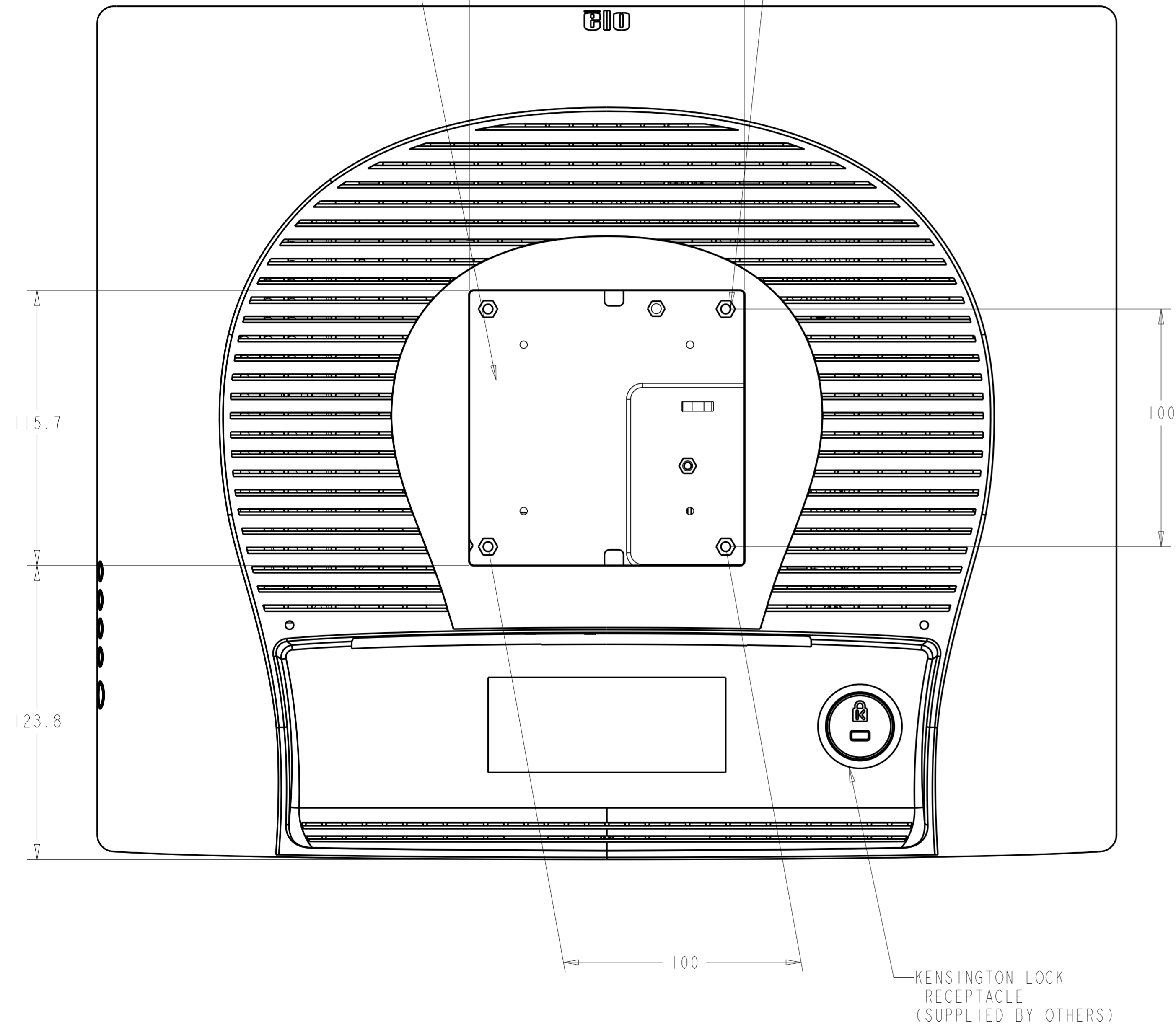


BOTTOM VIEW

**VESA MOUNT**

VESA MOUNTING SURFACE IS 5.6 MM BELOW PLASTIC

M4 THREAD, PHILIPS HEAD MOUNTING SCREWS 7mm DEEP FROM VESA SURFACE, X4



KENSINGTON LOCK RECEPTACLE (SUPPLIED BY OTHERS)

DIMENSIONS ARE IN MILLIMETERS

**CONNECTOR PANEL**

TOUCH-SCREEN CONNECTORS

