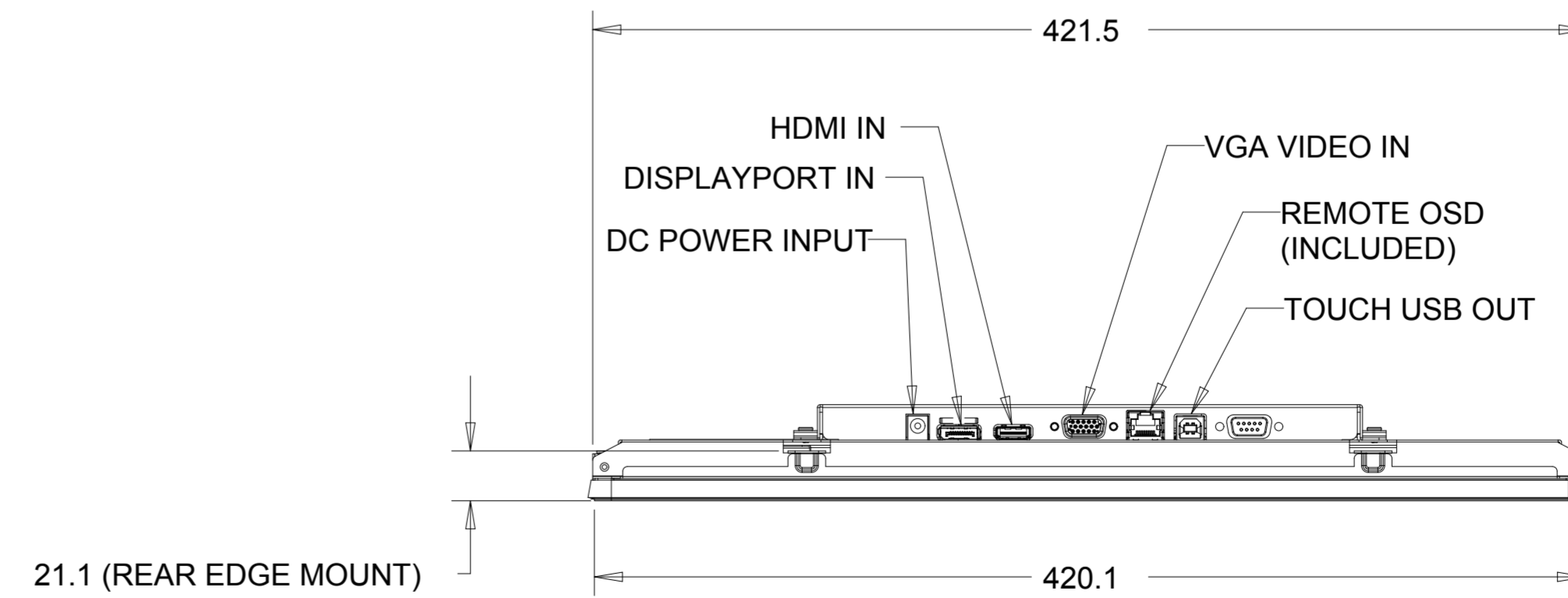
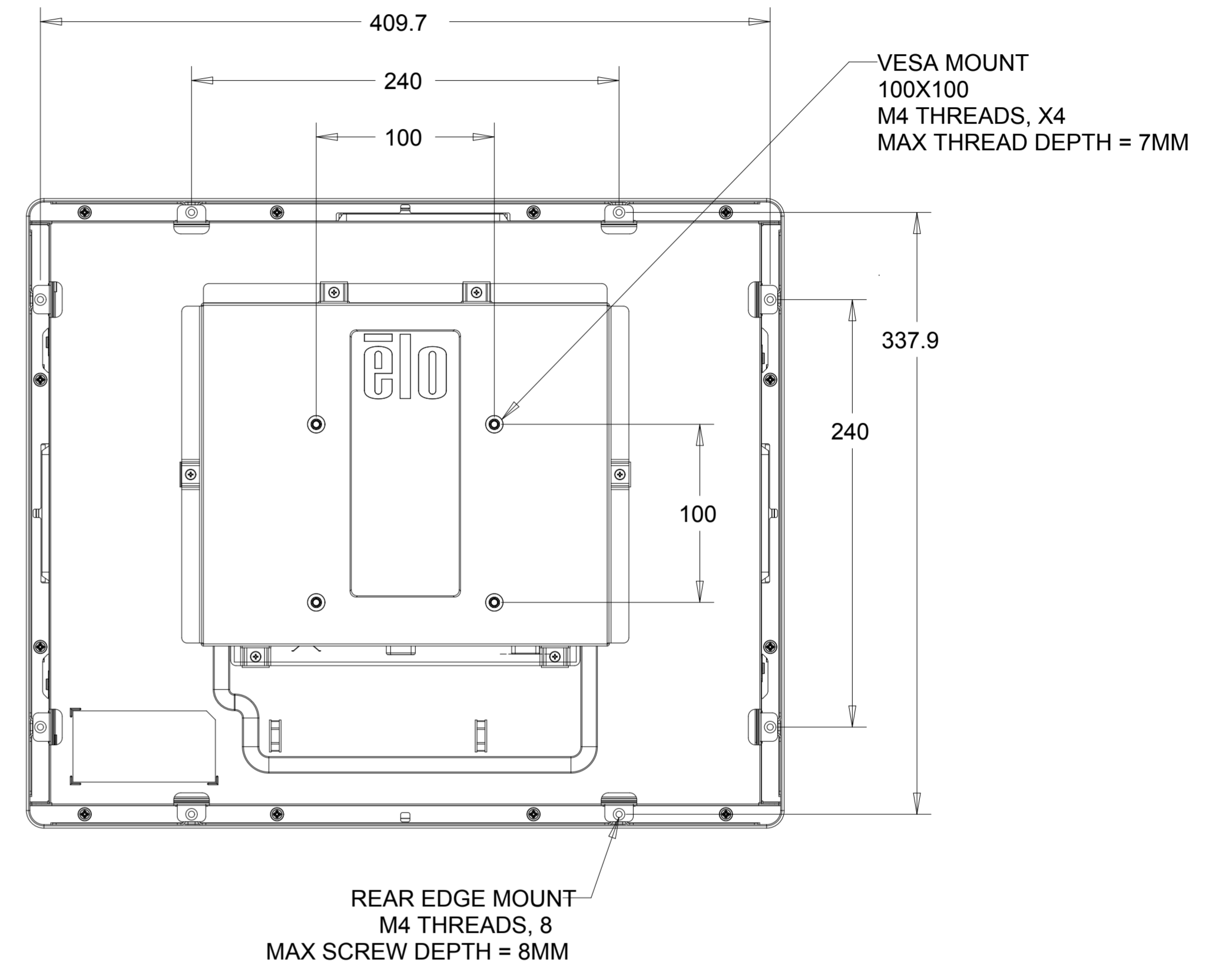
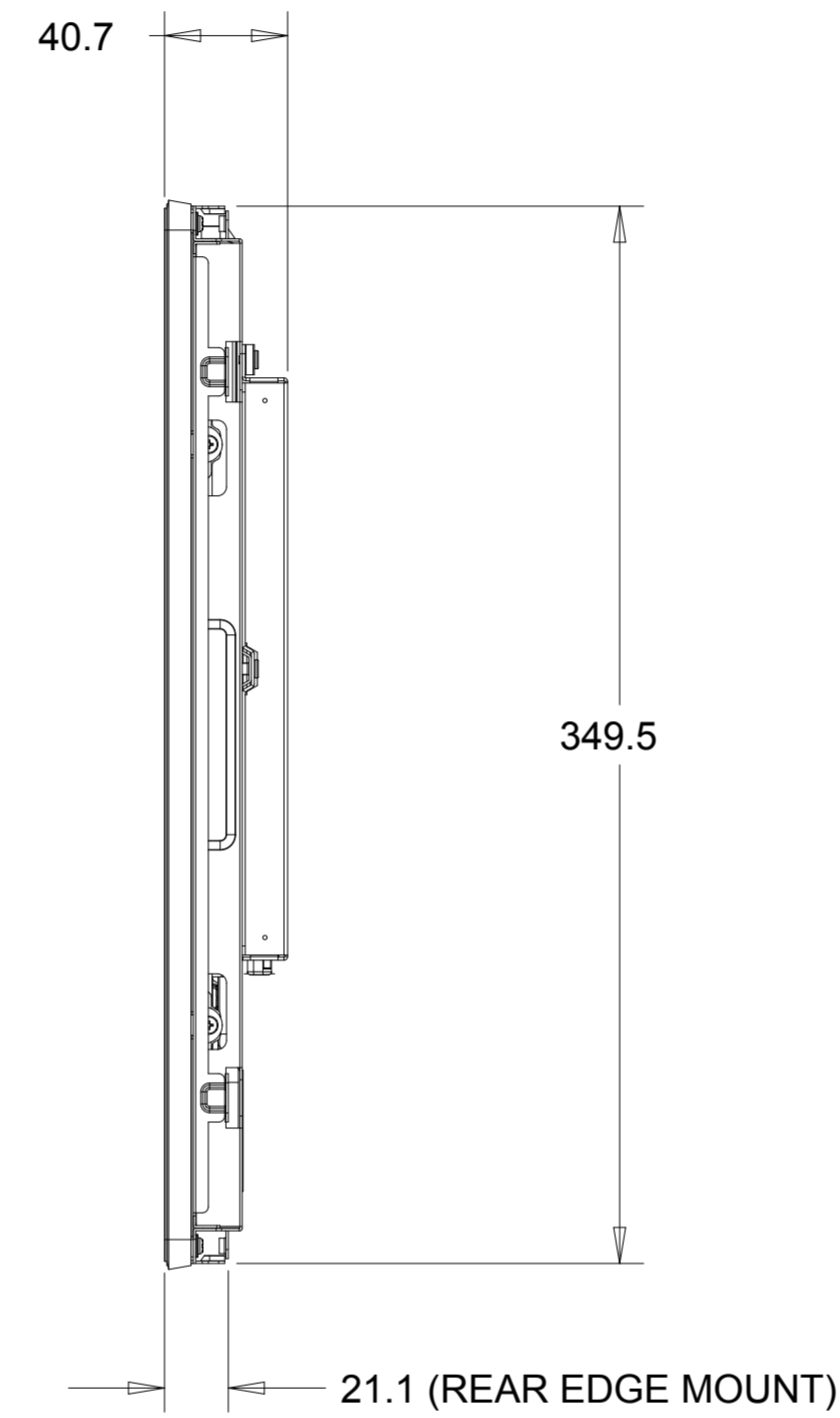
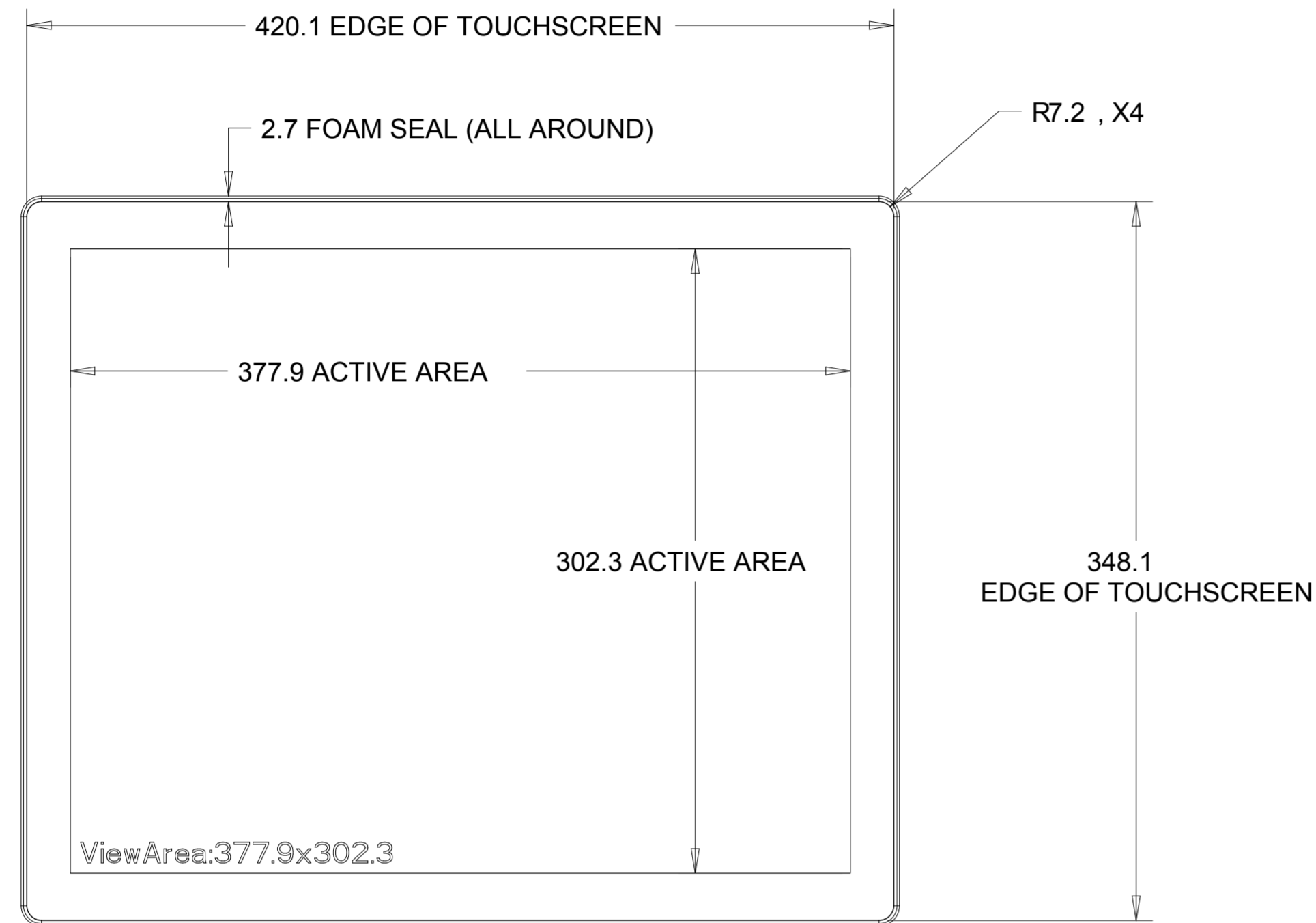
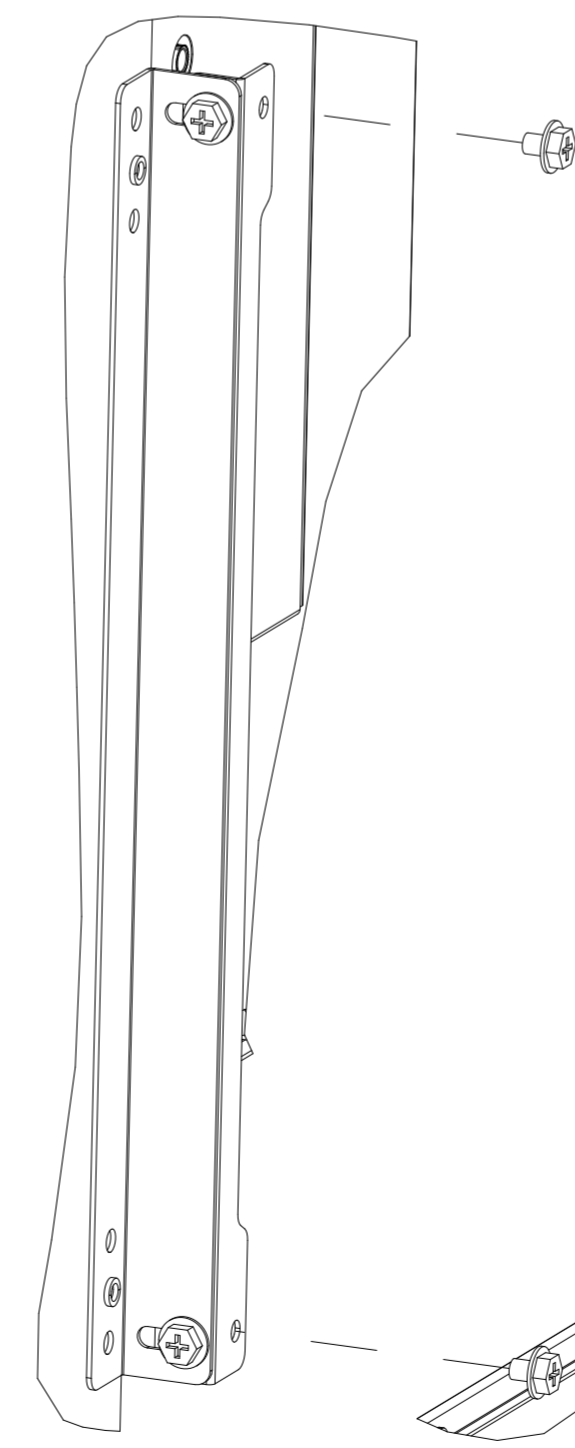
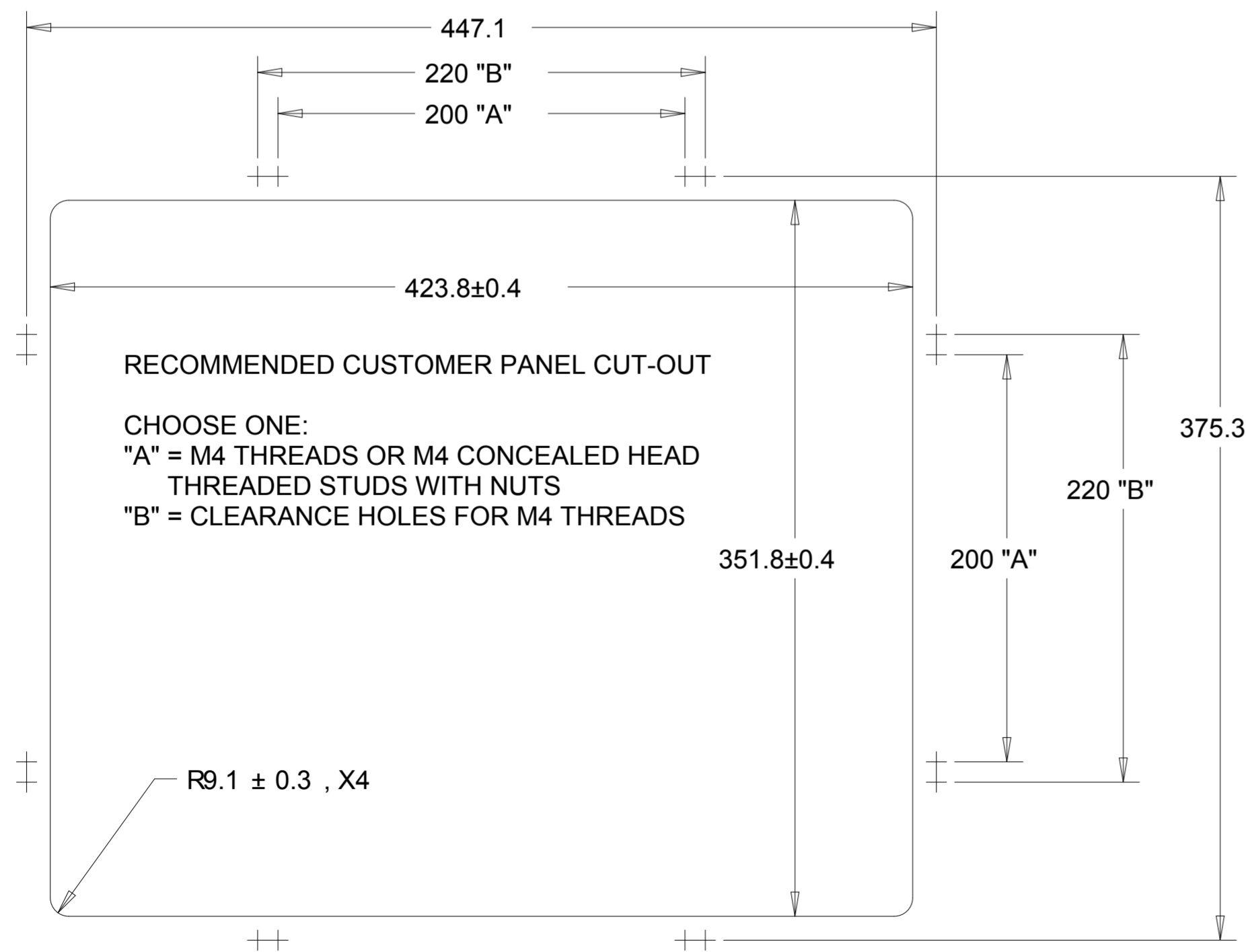
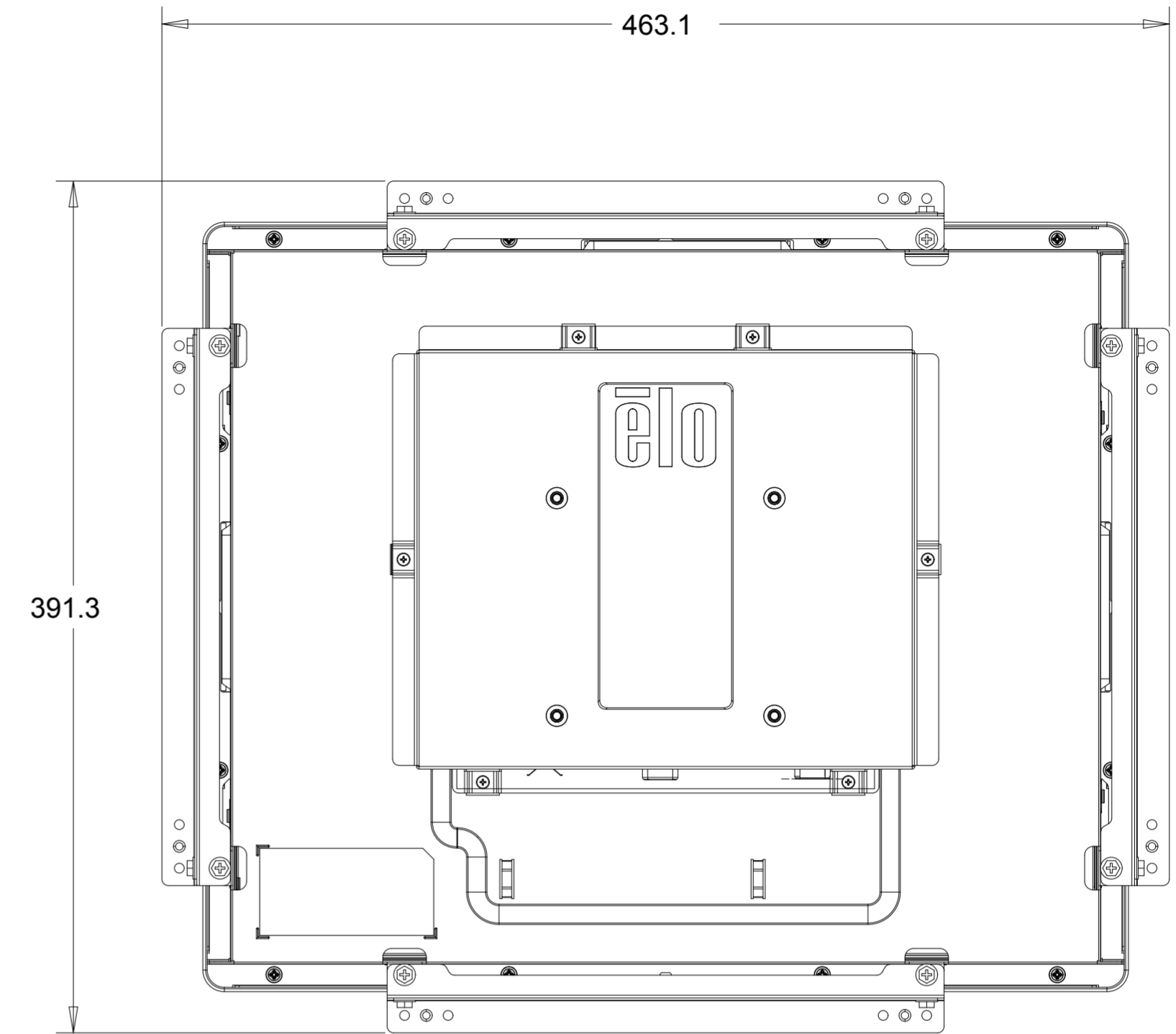
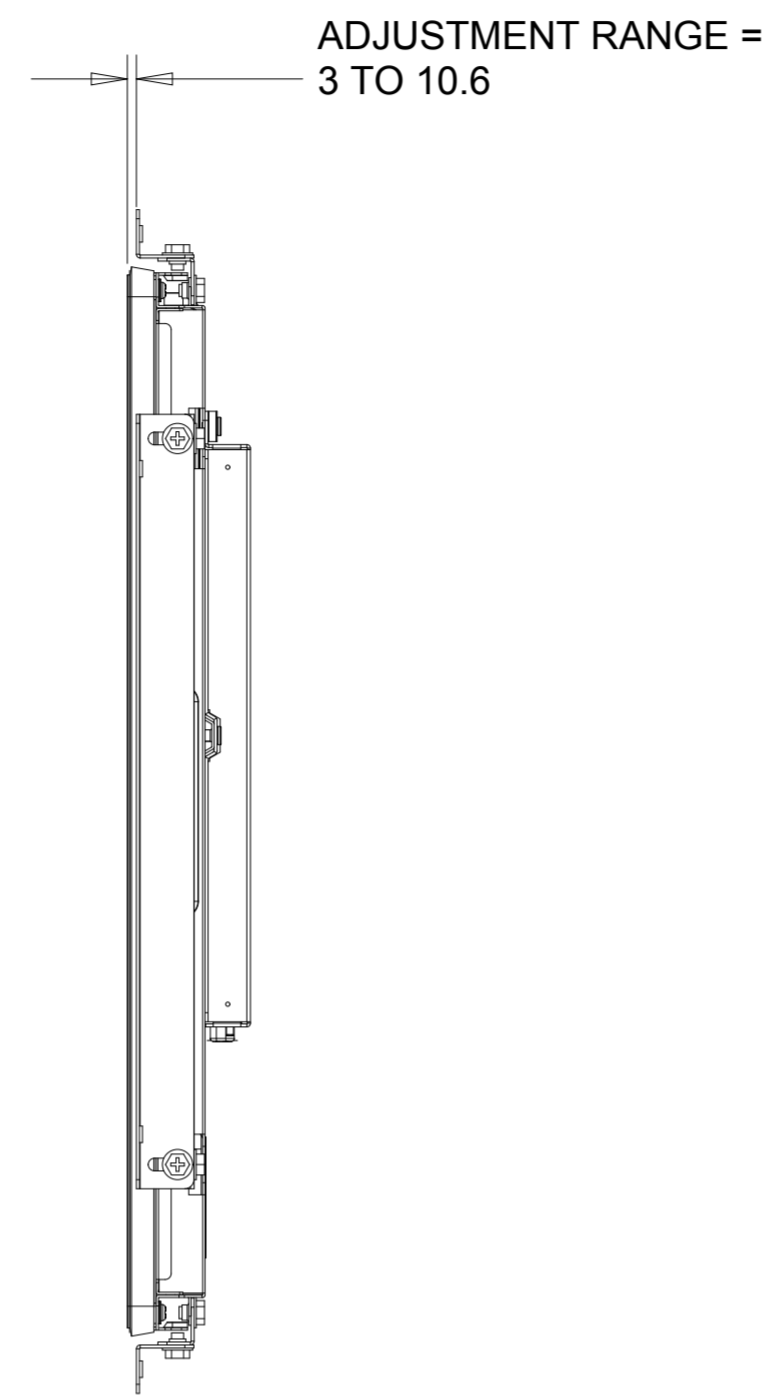
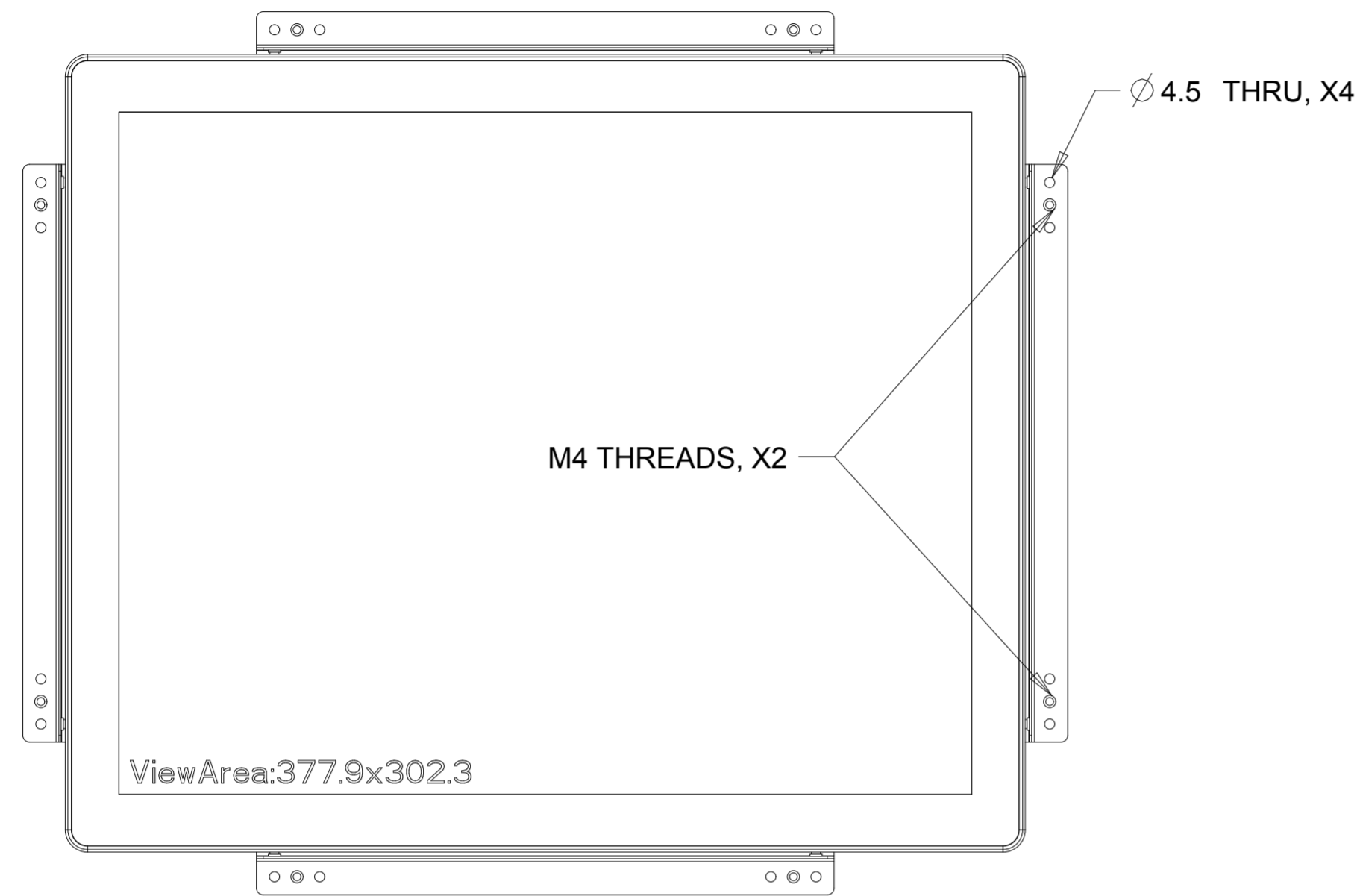


PROJECTED CAPACITIVE MODEL



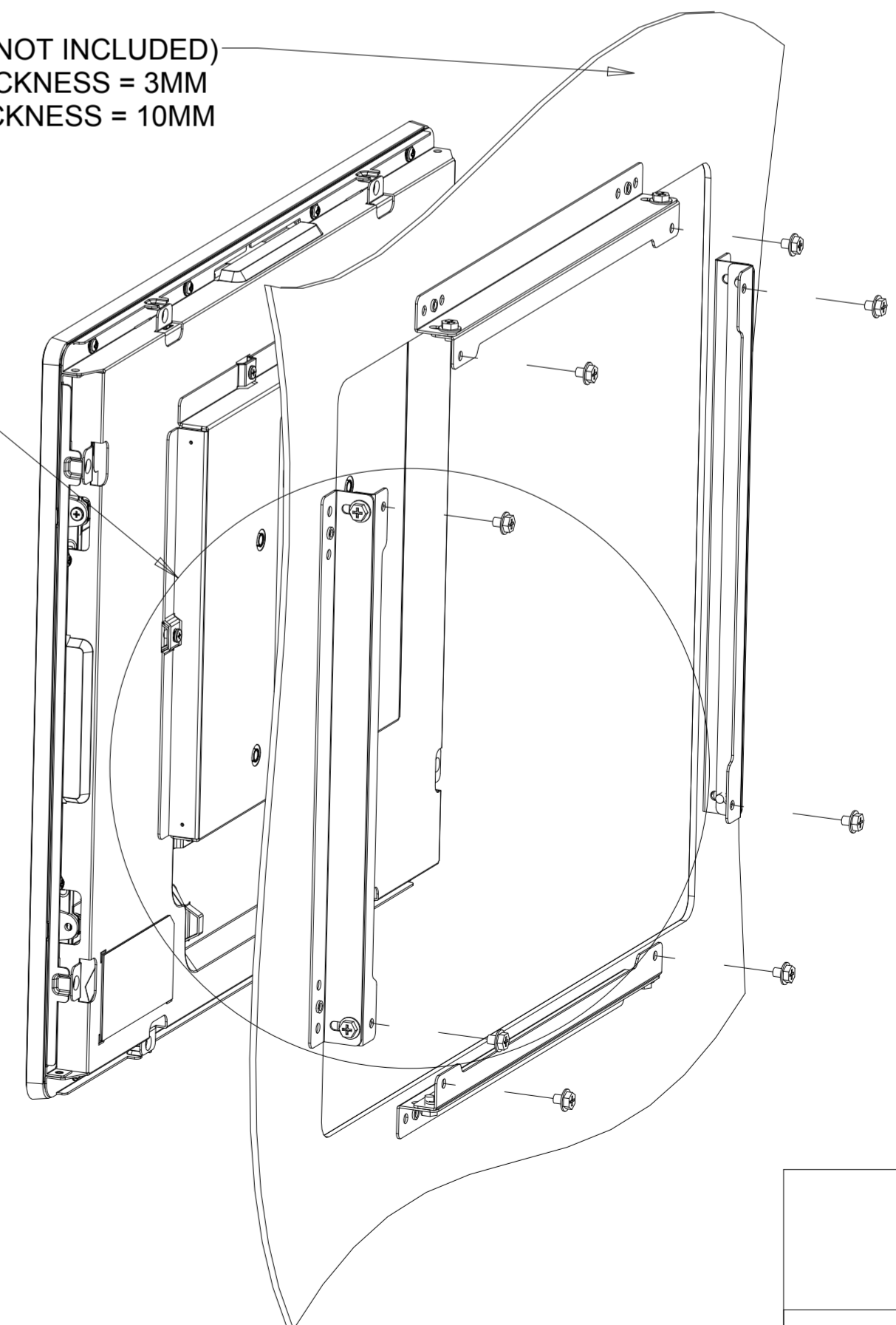
PROJECTED CAPACITIVE MODEL

WITH FLUSH MOUNTING BRACKETS (4 INCLUDED)
 REPLACEMENT BRACKET KIT P/N E001178 AVAILABLE SEPARATELY

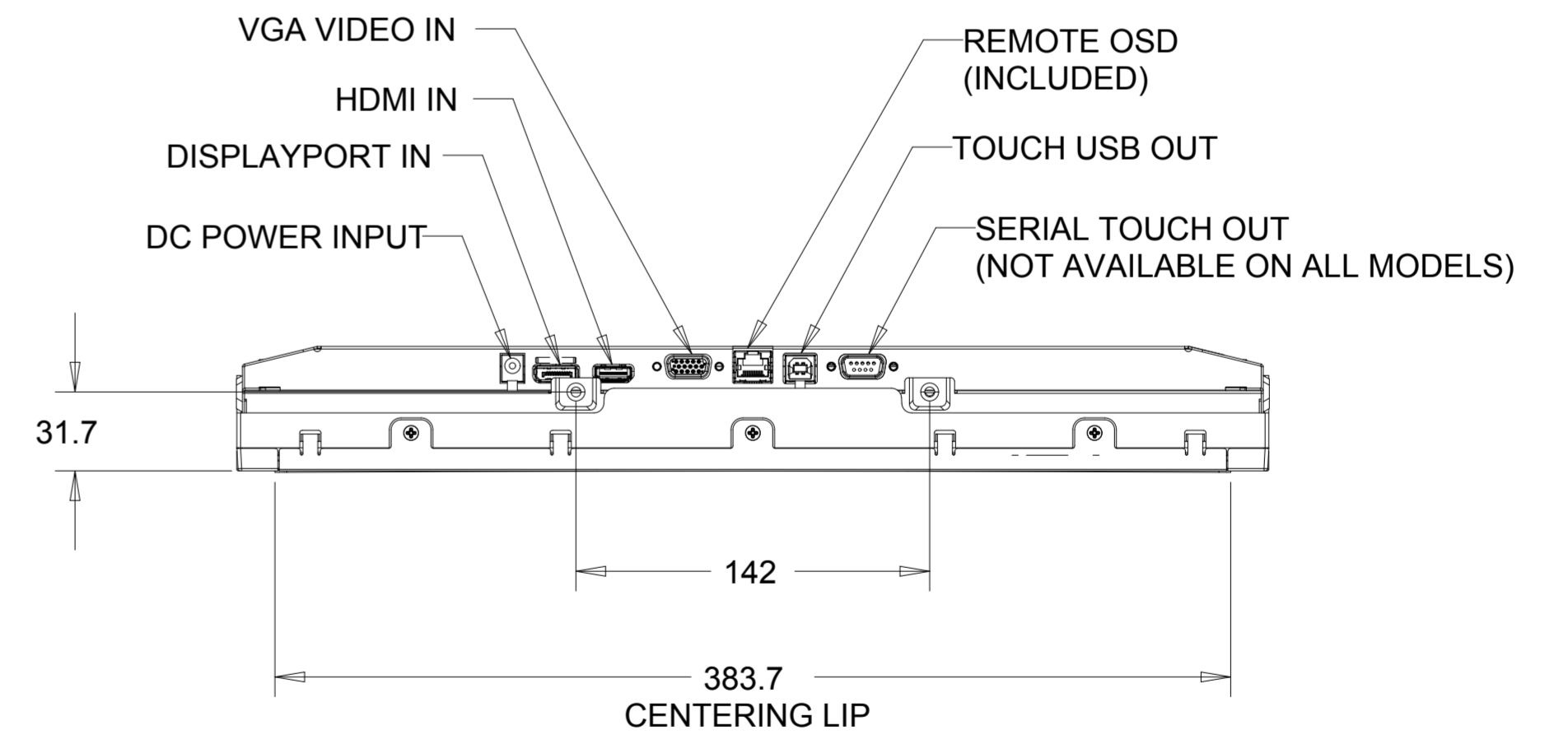
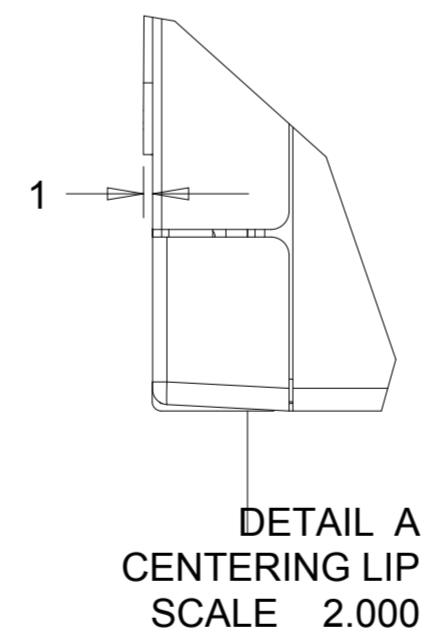
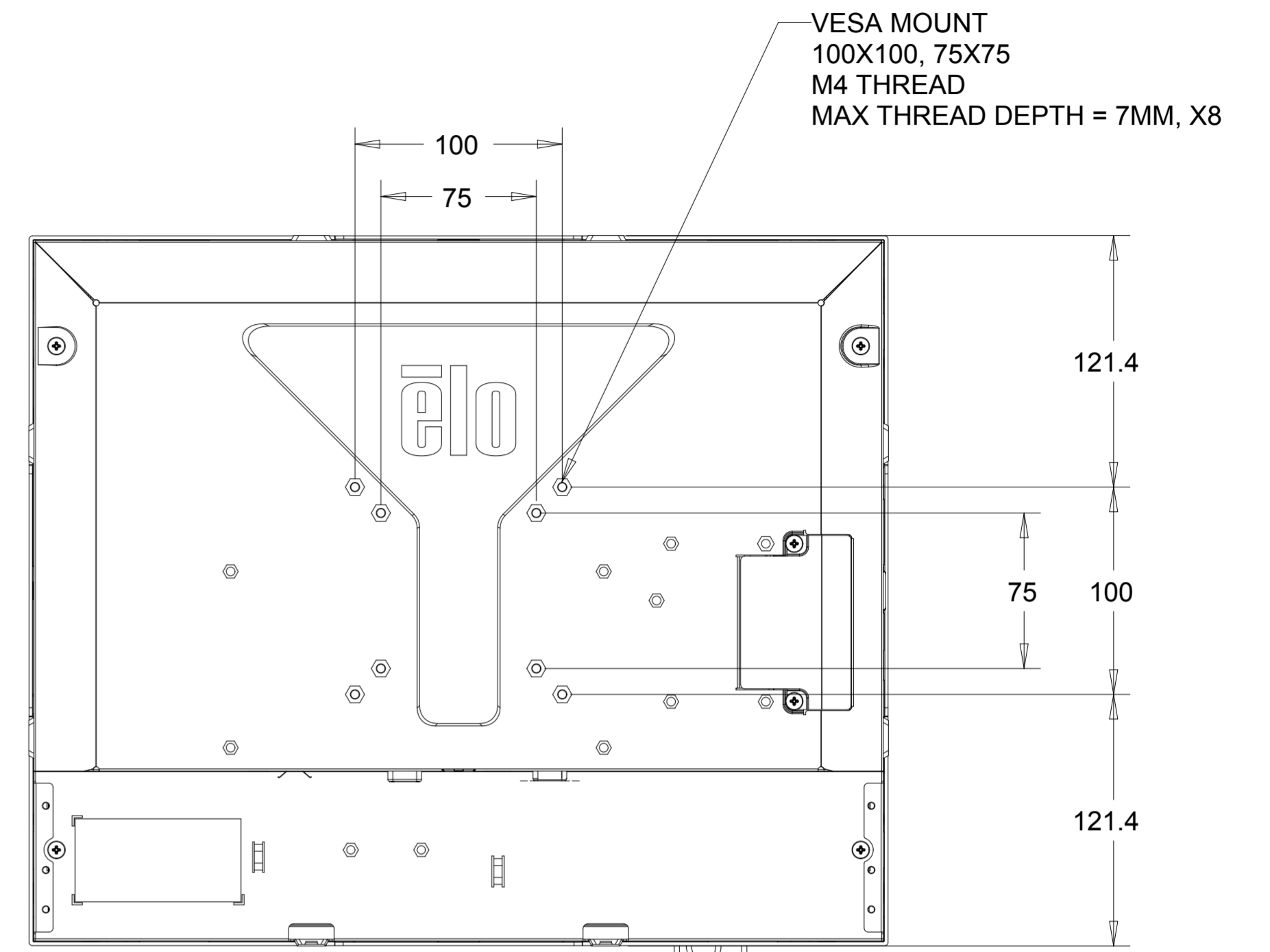
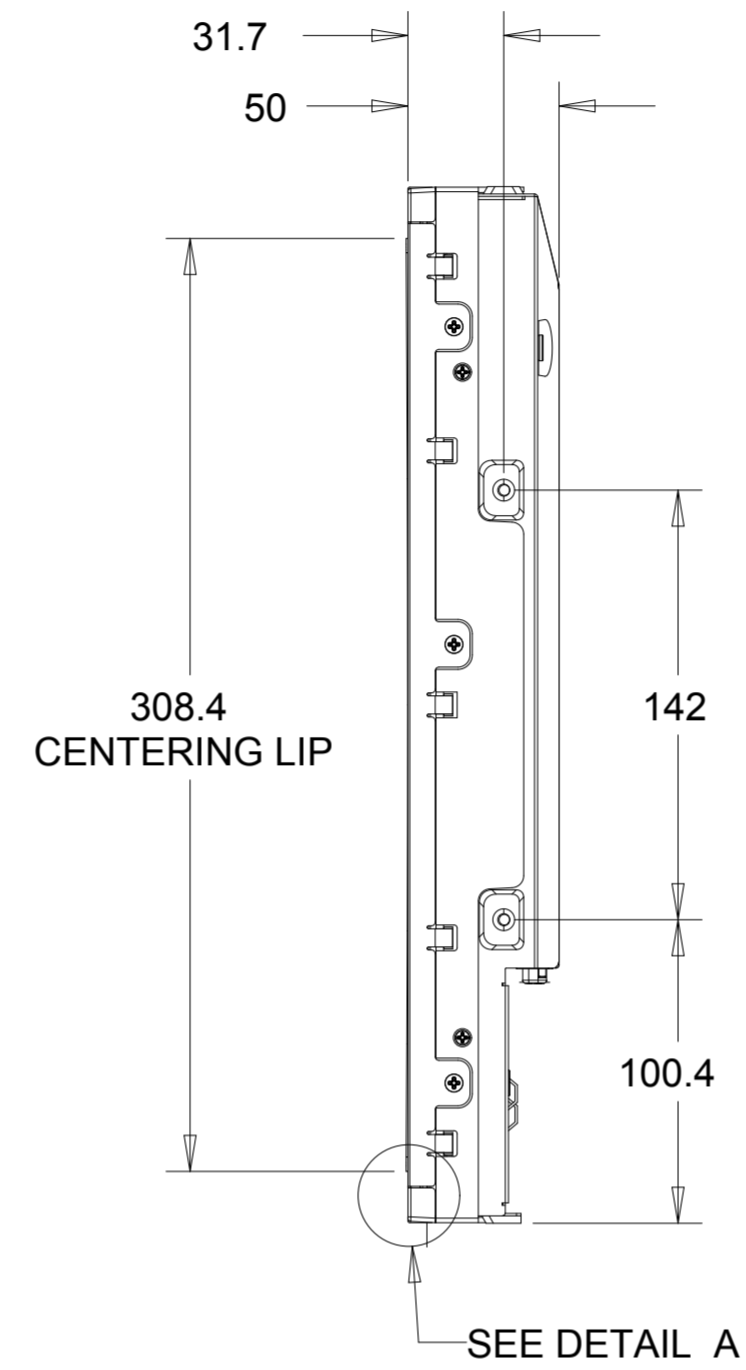
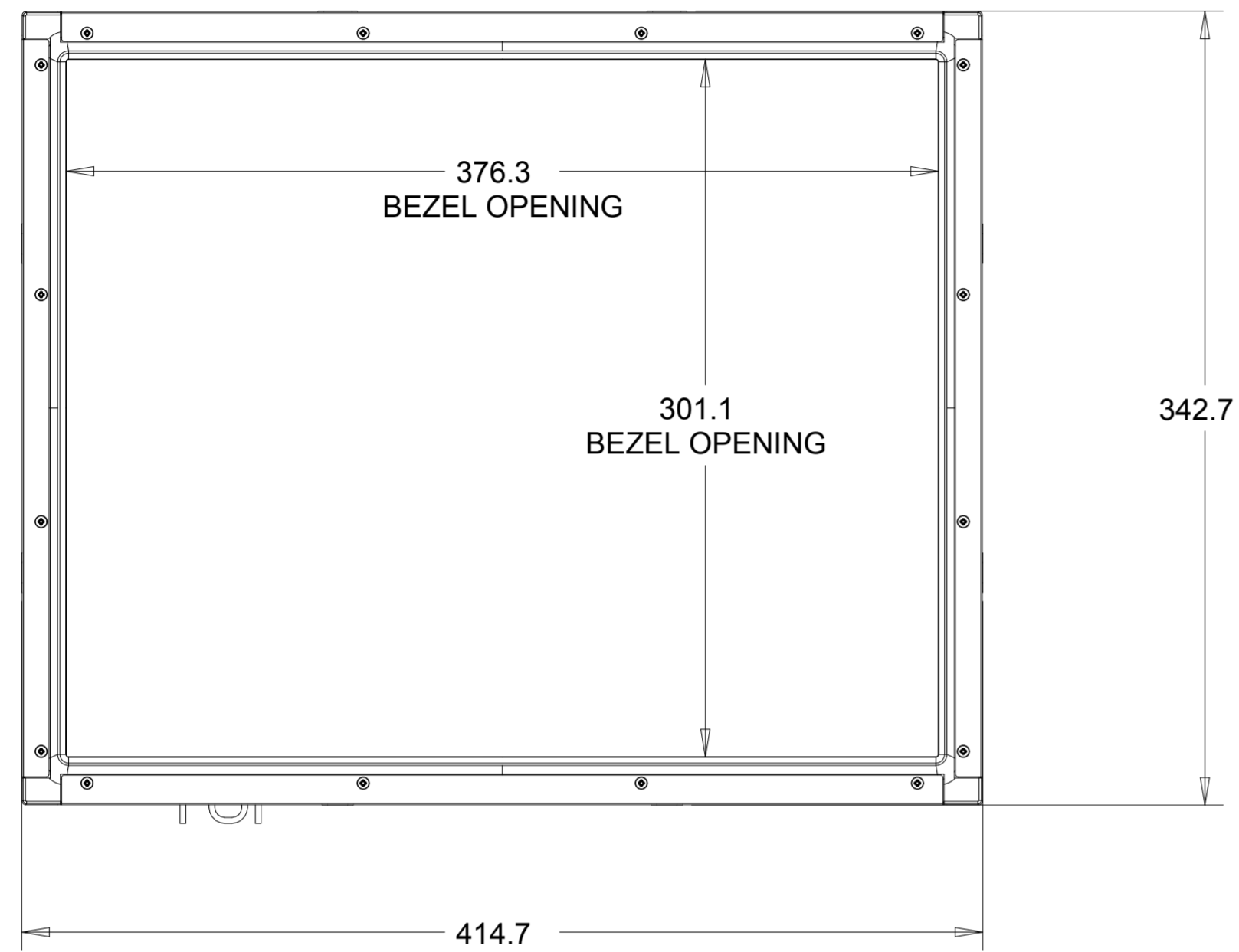


CUSTOMER PANEL (NOT INCLUDED)
 MIN THICKNESS = 3MM
 MAX THICKNESS = 10MM

SEE DETAIL B

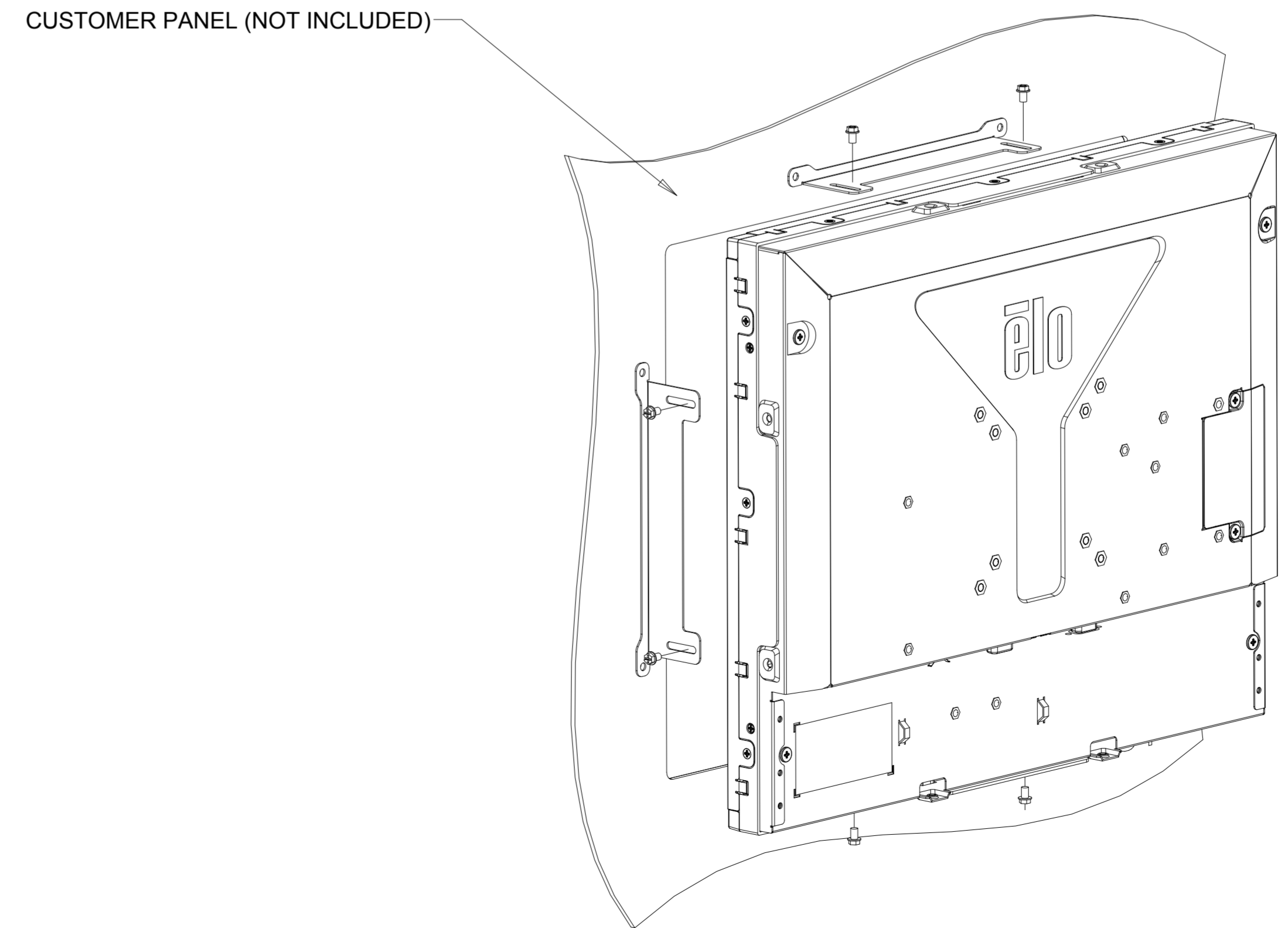
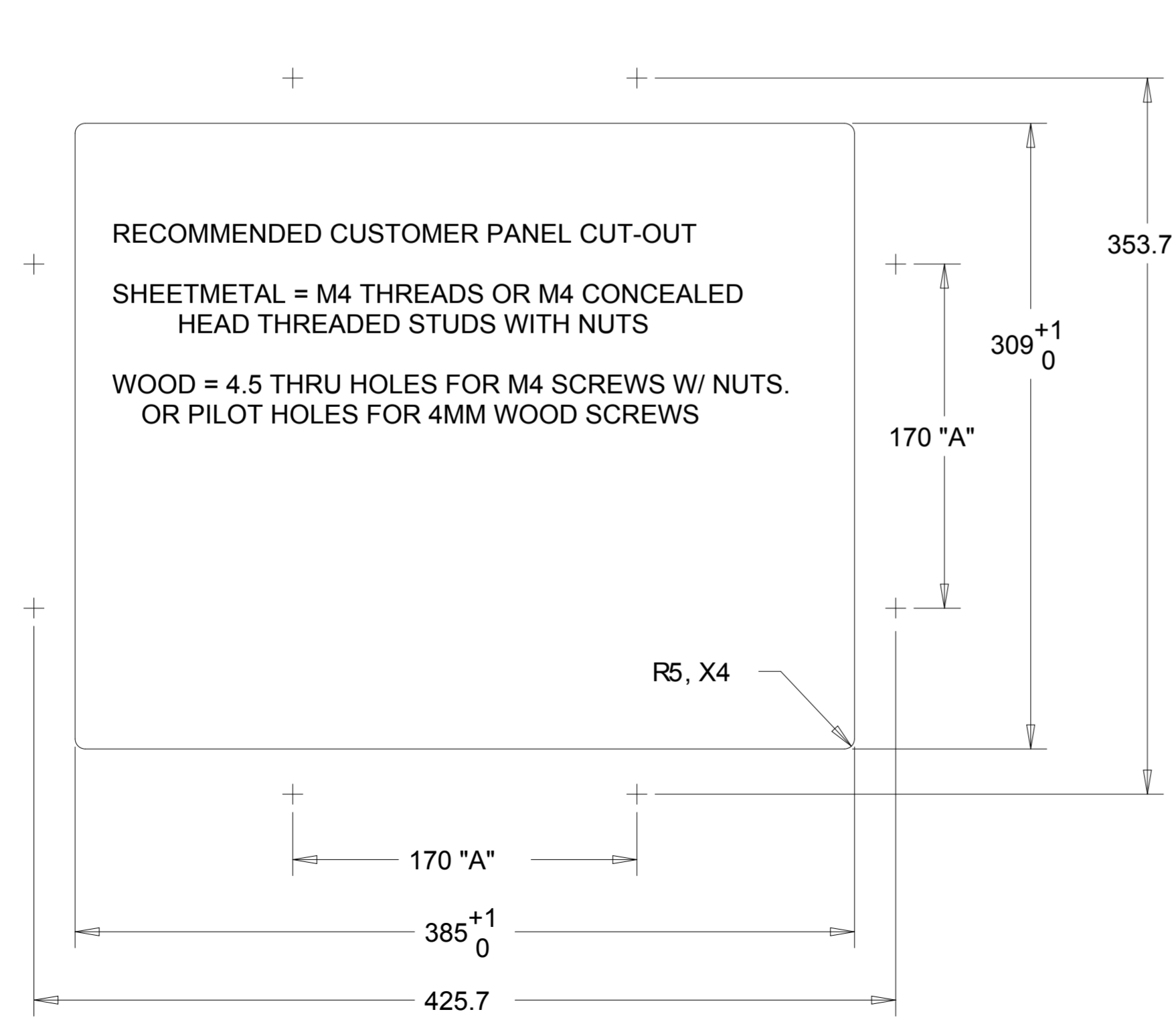
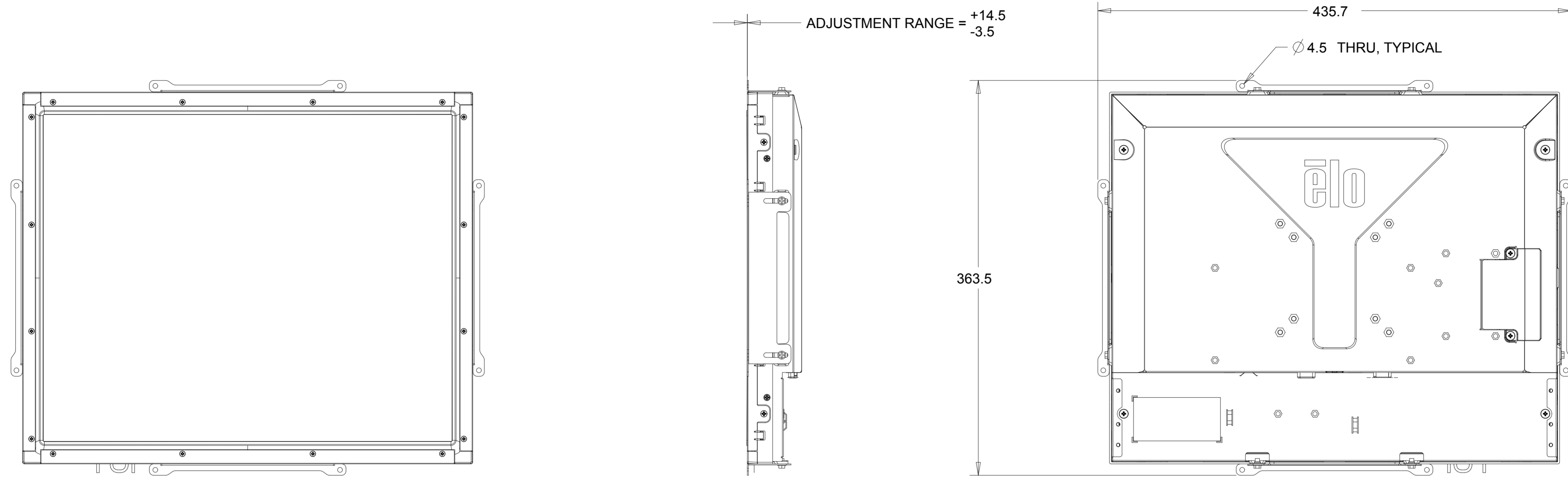


INTELLITOUCH, ACCUTOUCH, AND SECURETOUCH MODEL

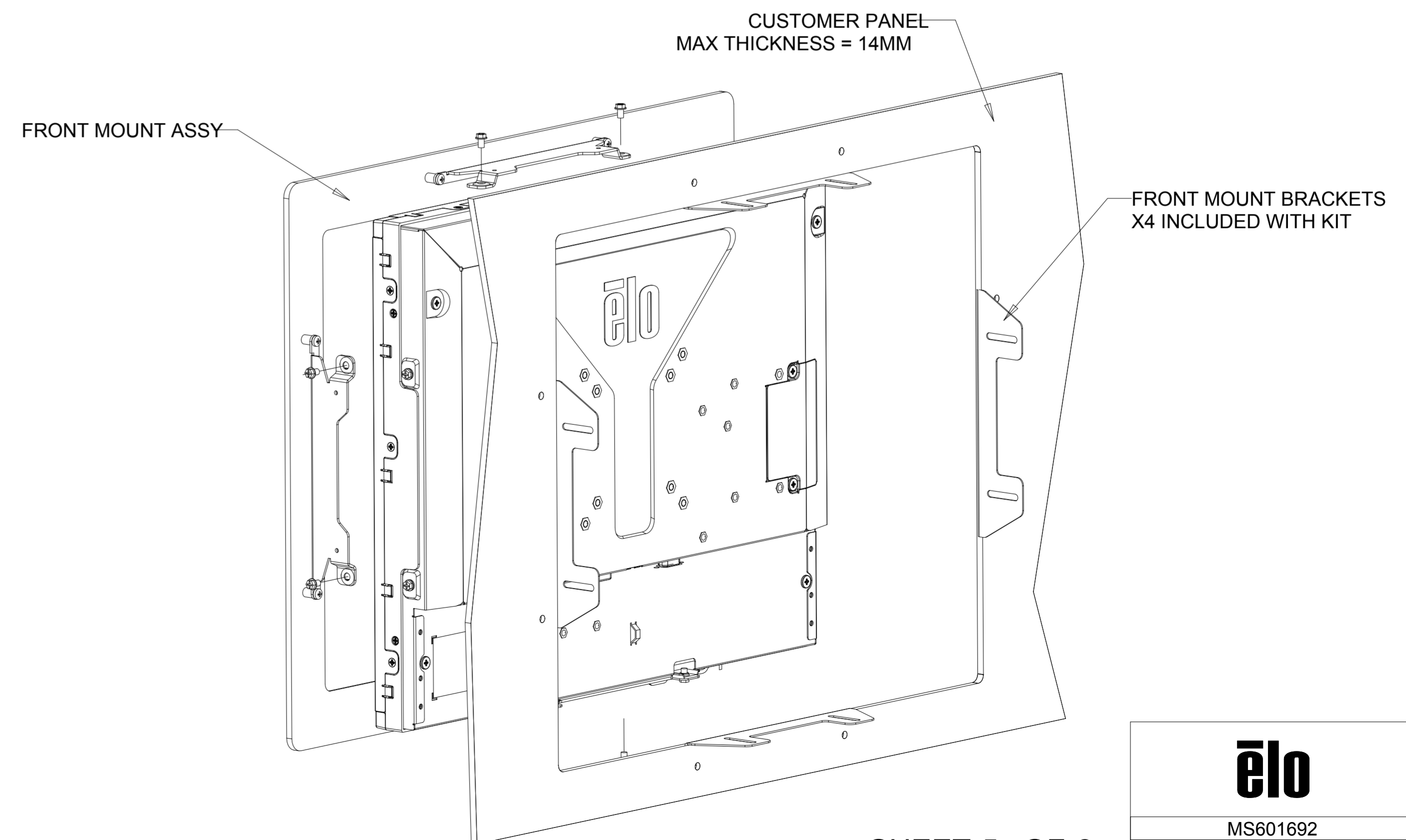
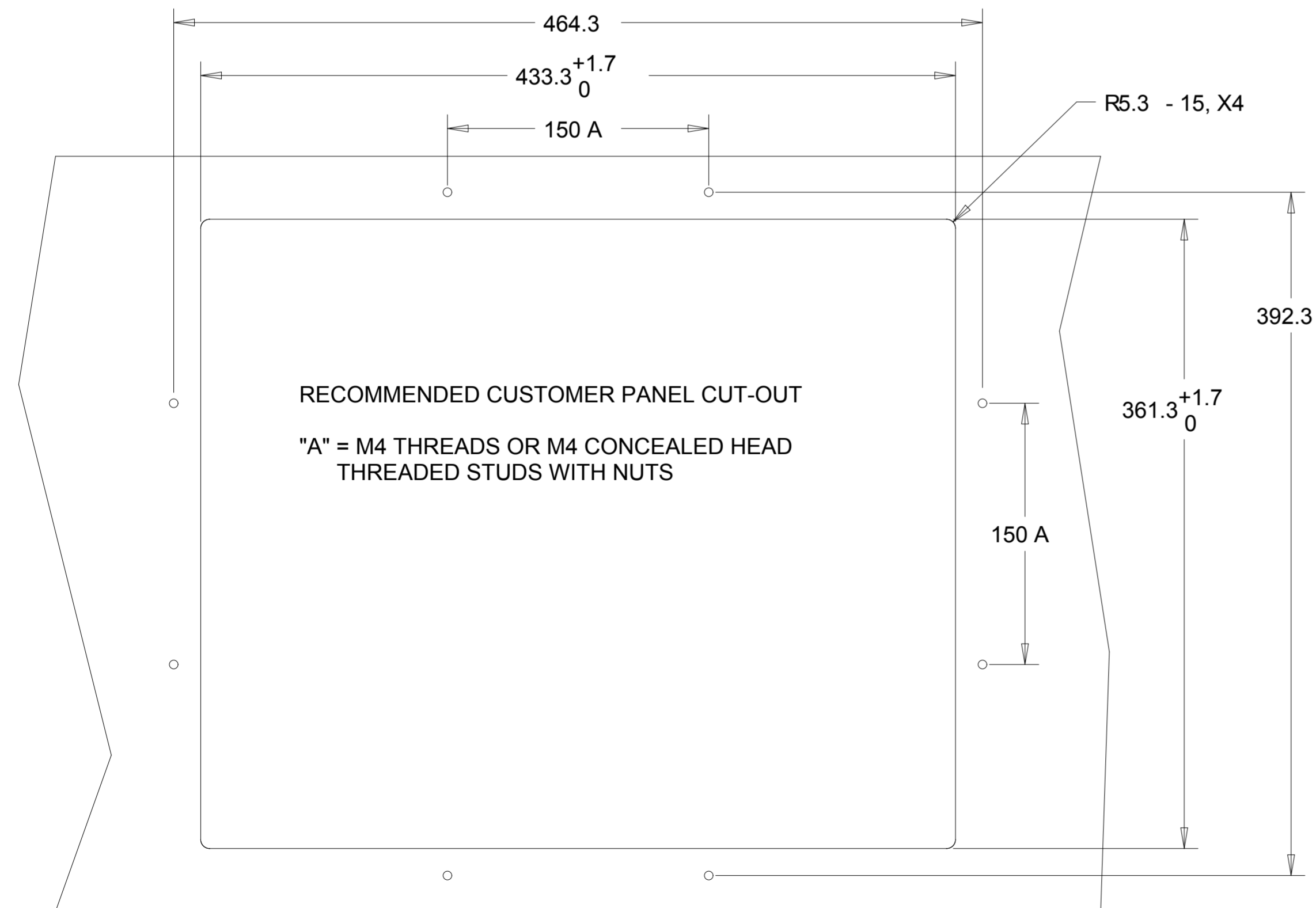
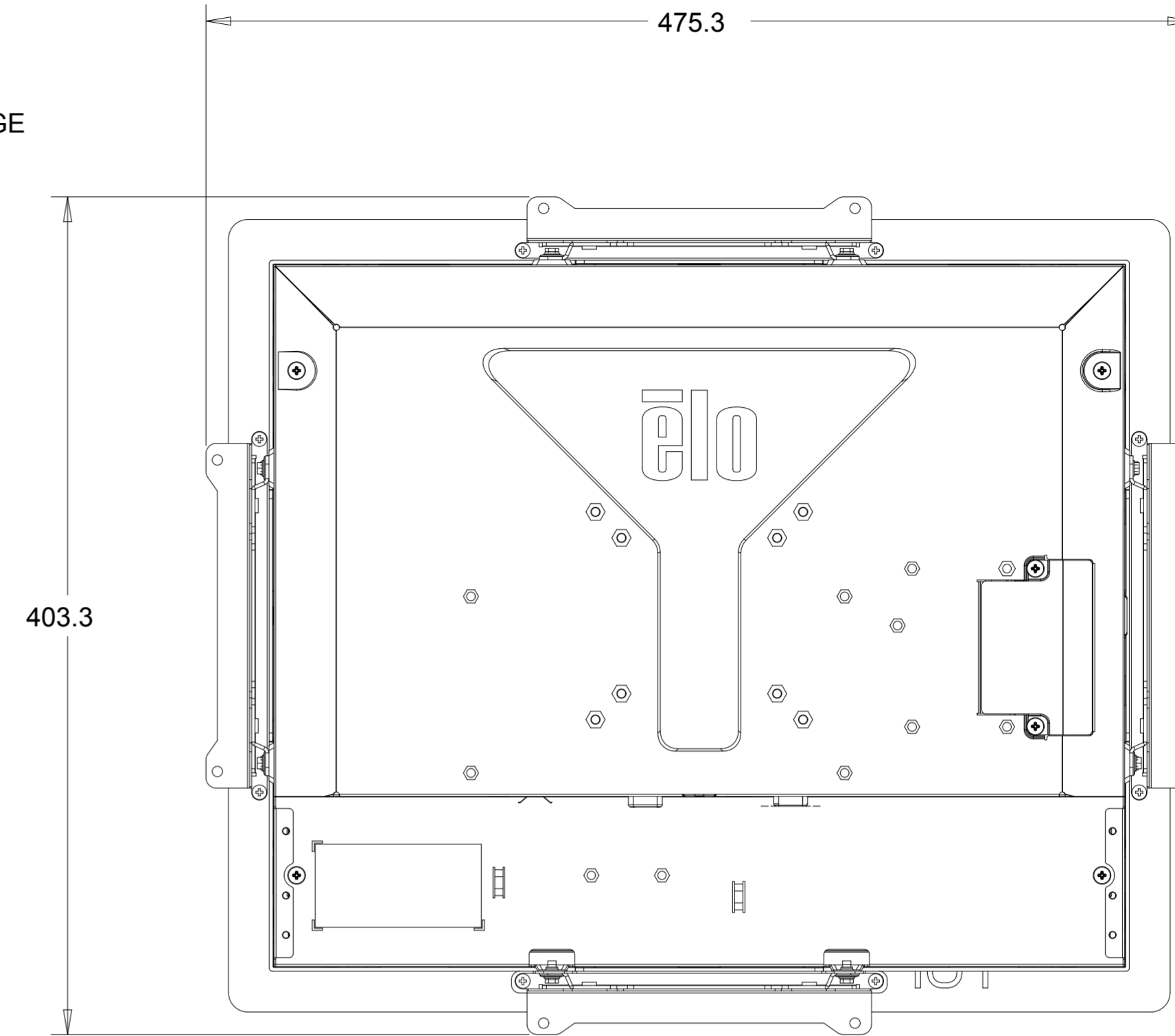
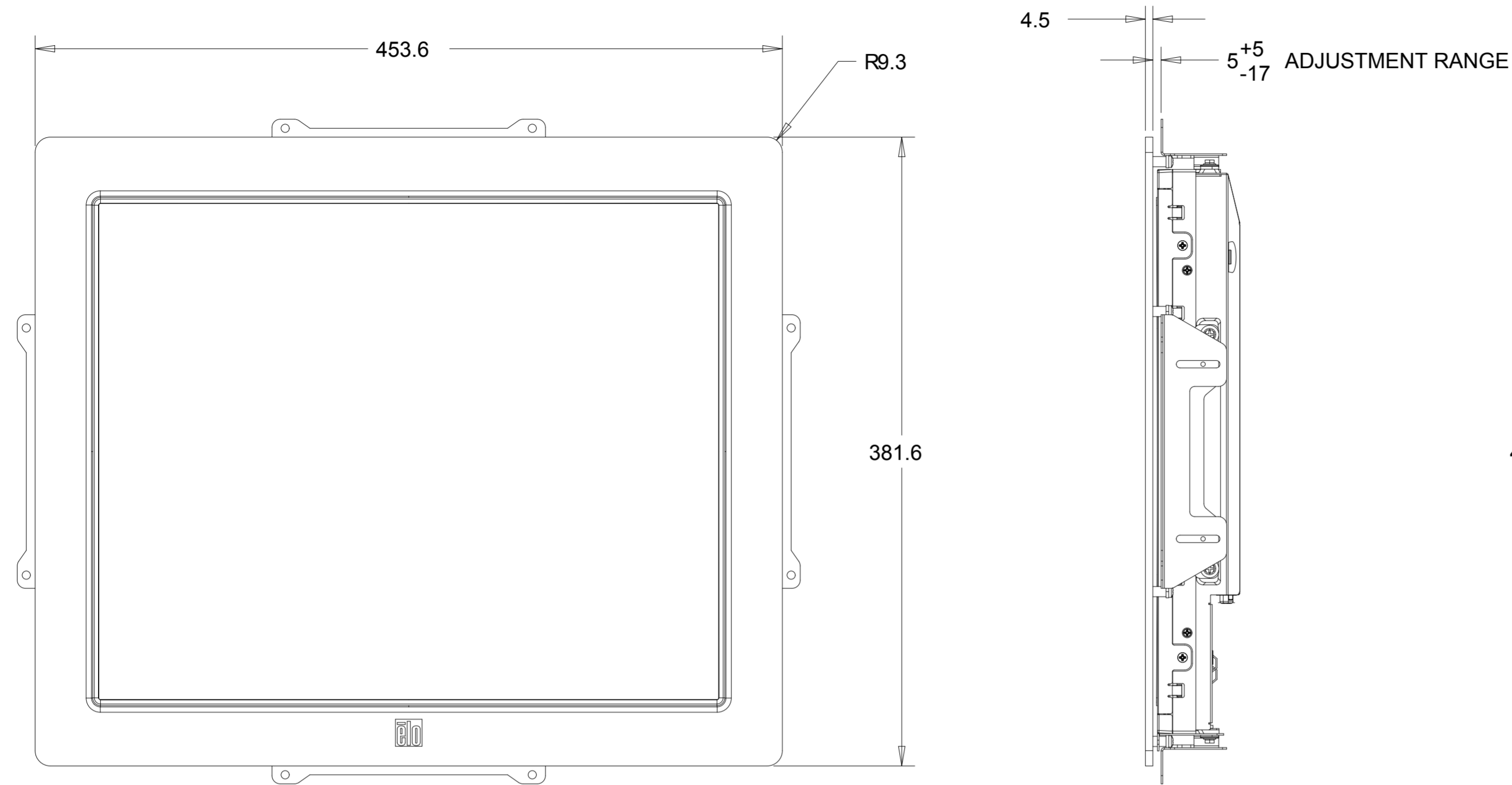


INTELLITOUCH, ACCUTOUCH, AND SECURETOUCH MODEL

WITH SIDE MOUNTING BRACKETS (2 INCLUDED)
 REPLACEMENT BRACKET KIT P/N E147211 AVAILABLE SEPARATELY



FRONT MOUNT BEZEL KIT P/N E163604
 COMPATIBLE WITH INTELLITOUCH, ACCUTOUCH, AND SECURETOUCH MODEL ONLY
 ORDERED SEPARATELY, CUSTOMER ASSEMBLED



RACK MOUNT BEZEL KIT P/N E579652
COMPATIBLE WITH INTELLITOUCH, ACCUTOUCH, AND SECURETOUCH MODEL ONLY
ORDERED SEPARATELY, CUSTOMER ASSEMBLED

