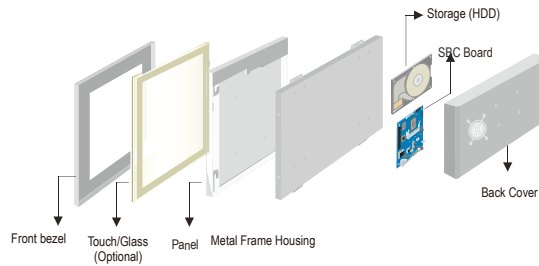


R06IB3S-PMA1 6.5" Panel PC(Intel® Celeron® Bay Trial-M N2930 1.83GHz)

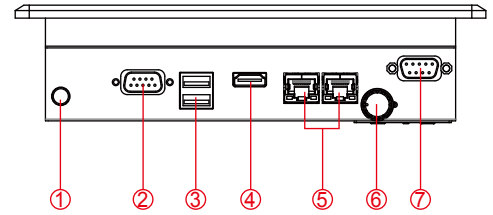
Mechanical Design



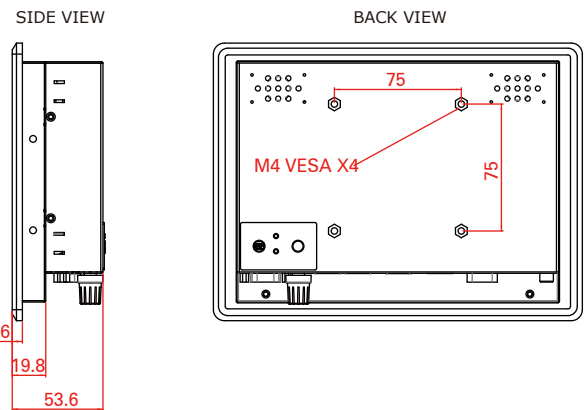
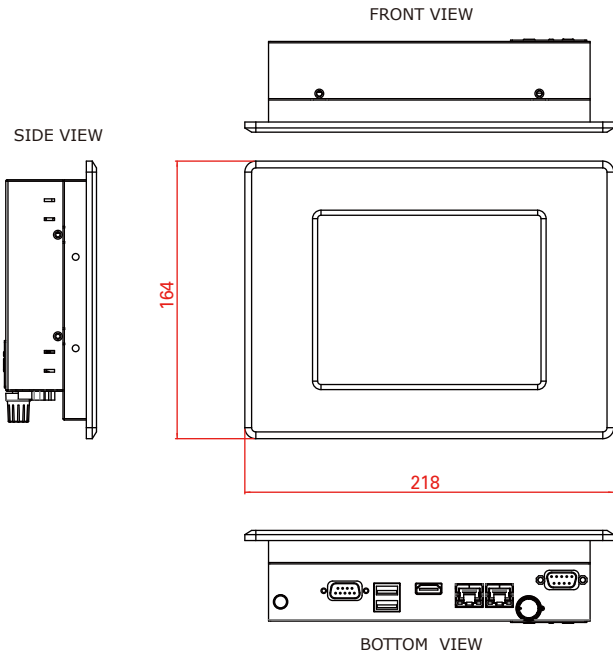
Panel Mount



Modularized Construction



1. DC-in
 2. RS232/422/485
 3. USB
 4. HDMI
 5. LAN
 6. Brightness Adjustment
 7. RS232
- Default setting:RS232



* Note: this is a simplified drawing and some components are not marked in detail. Please contact our sales representative if you need further product information.

Specifications

System :

- CPU : Intel® Celeron® Bay Trial-M N2930 1.83GHz
- Memory Slot : SODIMM DDR3L 1600 Max. 8G
- System Chipset : Intel®ATOM SoC Integrated
- IDE/SATA : 1 x SATA II
- LAN : Intel® I210-AT GbE LAN x 2
- Audio Codec : Realtek ALC886 HD Audio Codec

Panel Spec :

- Size/Type : 6.5"TFT
- Resolutions : 640 x 480
- Brightness : 700 nits
- Contrast Ratio : 600 : 1
- Viewing Angle : -80~80 (H)-70~70(V)
- Max. Colors : 16.2M/ 262k colors

Input / Output :

- Serial Ports : 1 x RS232, 1 x RS232/422/485
- USB Ports : 1 x USB 3.0, 1 x USB 2.0
- Ethernet : 2 x RJ45-10/100/1000 Mbps
- HDMI : 1 x HDMI
- Power : 1 x DC-in Power Jack(+12V) ● Default setting:RS232

Environment Considerations :

- Operating Temperature : 0 deg.C to 50 deg.C
- Operating Humidity : 30% to 90% (non condensing)

OS BSP / Driver Support :

- Support Windows 10 IoT Enterprise / Windows Embedded 8 * / Windows Embedded 7
- *For Windows Embedded 8, this panel PC does not support the Metro UI, only the desktop mode

Expansion Slots:

- 1 x Mini PCIe slot (for wireless module)
- 1 x Mini PCIe slot (for SATA SSD)

Security Support

- Trusted Platform Module (TPM 1.2)

Power Specifications :

- Power Input : 12V DC-IN Power input
- Power Consumption : 25W (typ.)(Max.backlight & high CPU load)

Accessories :

- External Adapter : 110~240V Ac-in Power Adapter

Order Options :

Mechanical : Panel Mount (6mm bezel)	Storage : 2.5" HDD/ mSATA
Touch : 4 Wires Resistive(Optional) AR Glass (Optional)	RAM : SODIMM DDR3L 1600 Max. 8Gb
	OS : Windows 10 IoT Enterprise Windows Embedded 8 Windows Embedded 7