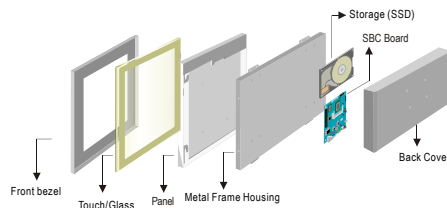
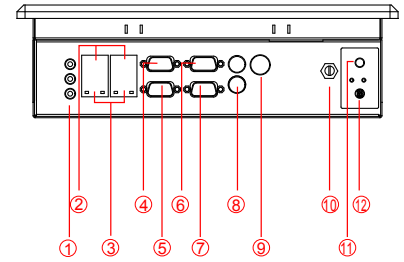


R10IB7T-IPA1WT 10.4" Panel PC (Intel® Celeron® Bay Trail-M N2930, 1.83 GHz)

Mechanical Design



Mechanical design

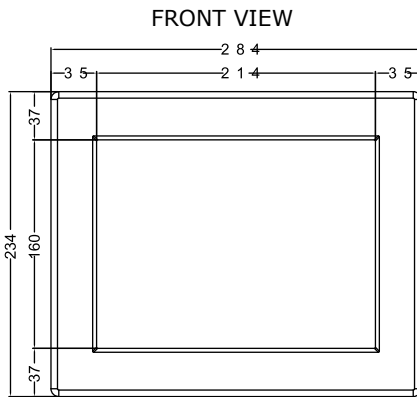


- | | |
|-----------------|--------------------------------|
| 1. Audio Jack | 7. RS-232 Conn. |
| 2. USB | 8. PS/2 |
| 3. RJ-45 | 9. 12V DC in |
| 4. VGA Out | 10. Brightness Adjustment Kndo |
| 5. RS-232 Conn. | 11. Power On |
| 6. RS-232 Conn. | 12. Power Reset |

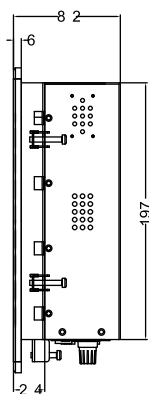
Fully Integrated I/O

Panel Mount (6 mm front bezel)

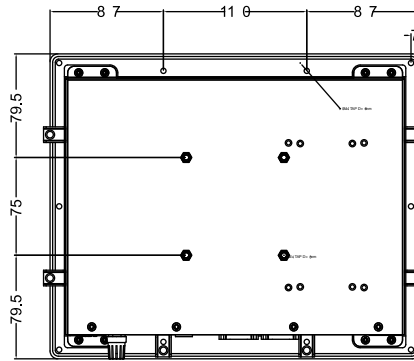
Dimensions



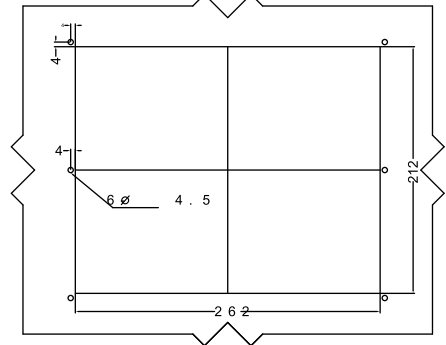
SIDE VIEW



BACK VIEW

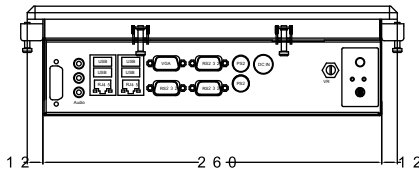


Cut Out



ALL DIMENSION ARE ± 0.5
CUT OUT DIMENSION(262*212mm)

Measurements shown in mm
All Dimensions are ± 0.5 mm



BOTTOM VIEW

* Note: this is a simplified drawing and some components are not marked in detail. Please contact our sales representative if you need further product information.

Specifications

System:

- CPU : Intel® Celeron® Bay Trail-M N2930, 1.83 GHz
- Memory Slot : SODIMM DDR3L 1600/1333, max. 8GB
- System Chipset : Intel Atom SoC Integrated
- IDE/SATA : 1 x SATA II
- LAN : Intel I210-AT GbE LAN x 2
- Audio Codec : Realtek ALC886 HD Audio Codec
- Storage : mSATA SSD 64GB (Default)

Accessories :

- External Adapter : 110~240V AC

Input / Output :

- Serial Ports : 2 x RS232, 1 x RS232/422/485
- USB Ports : 1 x USB 3.0, 3 x USB 2.0
- Keyboard/Mouse : 2 x PS/2
- Ethernet : 2 x RJ45-10/100/1000 Mbps
- VGA : 1 x VGA (female)
- Audio : Line-out, Line-in, Mic in
- Power : 1 x DC-in Power Jack(+12V) • Default: RS232

Panel Spec :

- Size/Type : 10.4" TFT
- Resolutions : 800x600
- Brightness : 400cd/m (typ.)
- Contrast Ratio : 700 : 1 (typ.)
- Viewing Angle : -80~80(H); -80~60(V)
- Max. Colors : 16.2M / 262K colors

Environment Considerations :

- Operating Temperature : -20°C to 60°C
- Operating Humidity : 30% to 90% (non-condensing)

Expansion Slot :

- Mini PCIe : 2 x Mini PCIe (1 for WiFi, 1 for 3G Module)
- eDP : 1 x eDP by 2x10 DF-13 connector

Order Options :

Touch : 5 Wires Resistive (Optional)

RAM : SODIMM DDR3L
1600/1333, max. 8GB
OS : Windows 10 IoT Enterprise
Windows 7 Embedded
Windows 8 Embedded

Power Specifications :

- Power input : 12V DC
- Power Consumption : 32W (typ.)(Max.backlight & high CPU load)

