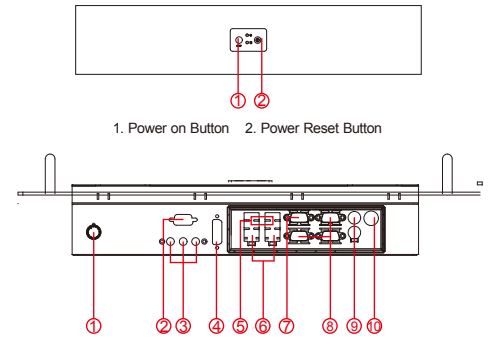
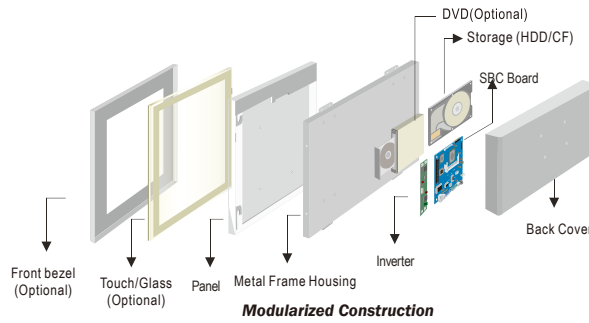


R15IB7T-RKC3 (Intel® Celeron® Bay Trail-M N2930, 1.83 GHz)

Mechanical Design

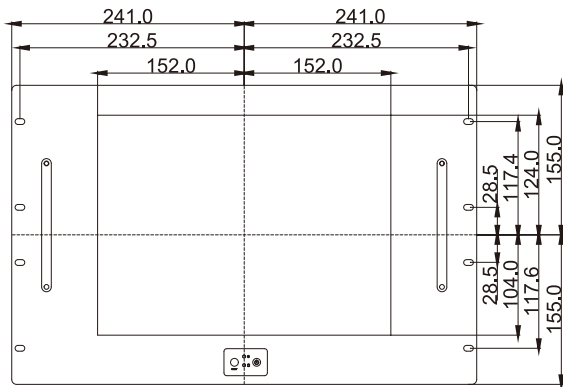


Rack Mount



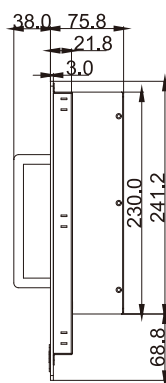
- 1. Brightness Adjustment Knob
- 2. RS-232 Conn. (Optional)
- 3. Audio Jack
- 4. DVI (Optional)
- 5. USB
- 6. RJ-45
- 7. VGA Out
- 8. RS-232 Conn.
- 9. PS/2
- 10. DC-IN Lockable Power Jack

FRONT VIEW

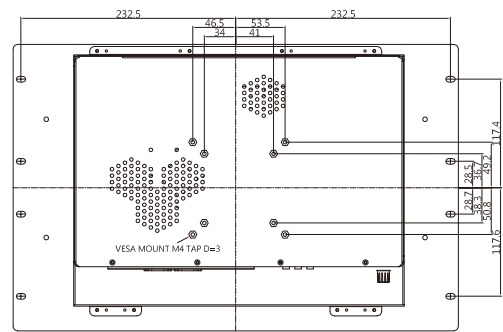


Dimensions

SIDE VIEW

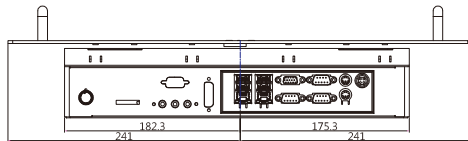


Fully Integrated I/O



BACK VIEW

- * Measurements shown in mm
- * Tolerance of all dimensions is shown as follow 0~30 mm ± 0.1 mm, 30~50 mm ± 0.15 mm, 50~120 mm ± 0.2 mm, above 120 mm ± 0.25 mm
- * Note: this is a simplified drawing and some components are not marked in detail. Please contact our sales representative if you need further product information.



BOTTOM VIEW

Specifications

System:

- Processor : Intel® Celeron® Bay Trail-M N2930, 1.83GHz
- Memory Slot : SODIMM DDR3L 1600/1333, max. 8GB
- System Chipset : Intel Atom SoC Integrated
- IDE/SATA : 2 x SATA
- LAN : Intel I210-AT GbE LAN x 2
- Audio Codec : Realtek ALC886 HD Audio Codec

Panel Spec

- Size/Type : 15" TFT
- Resolutions : 1024x768
- Brightness : 300cd/m (typ.)
- Contrast Ratio : 2000 : 1 (typ.)
- Viewing Angle : -88~88(H);-88~88(V)
- Max. Colors : 16.2M

Input / Output :

- Serial Ports : 2 x RS232, 1 x RS232/422/485*
- USB Ports : 1 x USB 3.0, 3 x USB 2.0
- Keyboard/Mouse : 2 x PS/2
- Ethernet : 2 x RJ45-10/100/1000 Mbps
- VGA : 1 x VGA (female)
- Audio : Line-out, Line-in, Mic in

* Default: RS232

Environment Considerations

- Operating Temperature : 0°C to 45°C
- Operating Humidity : 30% to 90% (non-condensing)

OS BSP / Driver Support :

- OS : Windows 10 IoT Enterprise
Windows 7 Embedded
Windows 8 Embedded

Expansion Slot :

- Mini PCIe : 2 x Mini PCIe (1 for WiFi, 1 for 3G Module)
- eDP : 1 x eDP by 2 x 10 DF-13 connector

Order Options :

- Mechanical : Open Frame
Panel Mount(10mm bezel)
IP65(10mm bezel)
Chassis
- Touch : 5 Wires Resistive (Optional)
- Storage : 2.5" HDD/2.5"SSD/mSATA
- RAM : SODIMM DDR3L
1600/1333, max.8GB
- OS : Windows 10 IoT Enterprise
Windows 7 Embedded
Windows 8 Embedded
(Optional)

Power Specifications :

- Power Input : 12V DC (Lockable Power Jack)

Accesso

- External Adapter : 110~240V AC

