

R15IV7T-0FC3PS 15" Panel PC (Intel® 3rd Generation Core™ i7/i5/i3)

Mechanical Design



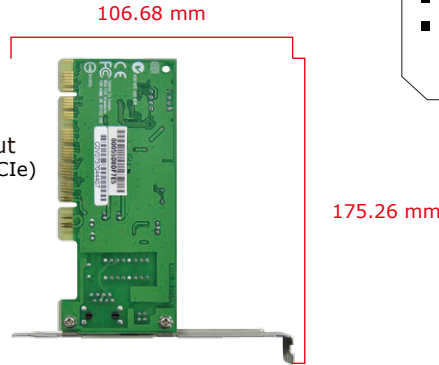
Open Frame



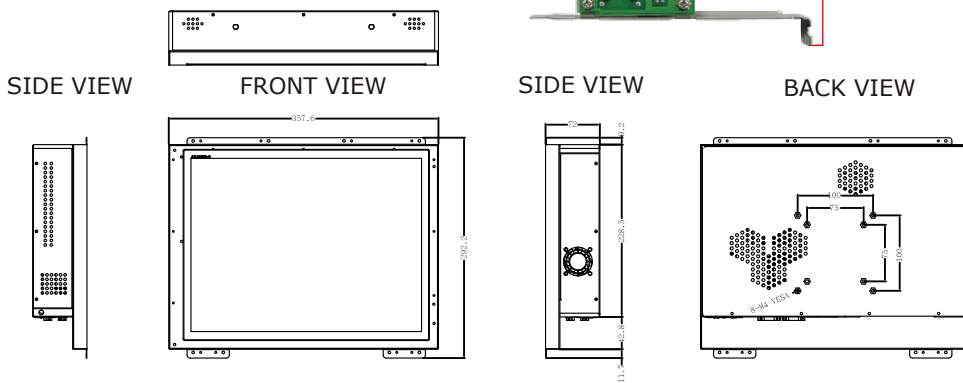
Feature :

- Designed for one PCI Slot (Optional PCIe)
- No convex part on IO side edge
- Only Support half-size PCI Card
15.24 x 175.26 x 106.68 mm

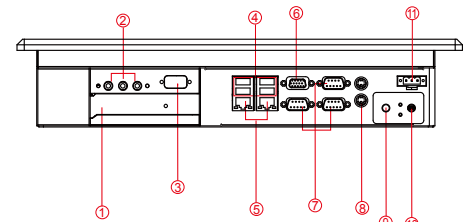
PCI Input
(Optional PCIe)



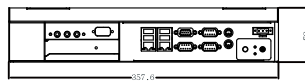
Mechanical design :



Fully Integrated I/O



1. PCI Card Slot (Optional PCIe)
2. Audio Jack
3. RS-232 Conn.(Optional)
4. USB
5. RJ-45
6. VGA Out
7. RS-232 Conn.
8. PS/2
9. Power Reset Button
10. Power On Button
11. 12V DC-in Terminal Block (Phoenix Type)



BOTTOM VIEW

- * Total Dimension (L x W x H) : 357.6 x 292.2 x 72 mm
- * Measurements shown in mm
- * Tolerance of all dimensions is shown as follow 0~30 mm ± 0.1 mm, 30~50 mm ± 0.15 mm, 50~120 mm ± 0.2 mm, above 120 mm ± 0.25 mm
- * Note: this is a simplified drawing and some components are not marked in detail. Please contact our sales representative if you need further product information.

Specifications

System

- CPU : Intel® 3rd Generation Core™ i7/i5/i3
- Memory : 2 x SO-DIMM, Max 16GB DDR3L 1333/1600
- System Chipset : Intel® HM76 Chipset
- Storage : 1 x SATA III, 1 x SATA II, 1 x mSATA
- LAN : Dual Broadcom BCM 57780 GbE
- Audio Codec : Realtek ALC886 HD Audio Codec

Panel Spec

- Size/Type : 15" TFT
- Resolutions : 1024 x 768
- Brightness : 250 cd/m² (typ.)
- Contrast Ratio : 500 : 1(typ.)
- Viewing Angles : -70~70(H);-60~60(V)
- Max Colors : 16.2M

Input / Output

- Serial Ports : 2 x RS232, 1 x RS232/422/485
 - USB Ports : 4 x USB 3.0
 - Keyboard / Mouse : 2 x PS/2
 - Ethernet : 2 x RJ 45-10/100/1000 Mbps
 - VGA : 1 x VGA (female)
- Default setting:RS232

Environment Considerations :

- Operating Temperature : 0°C to 50°C
- Operating Humidity : 30% to 90% (non condensing)

Expansion Slot :

- 1 x PCI (15.24 x 175.26 x 106.68 mm) (Optional PCIe)

Power Specifications

- Power Input : Terminal block Phoenix type / 12V DC-in
- Power Consumption : 87W (typ.)(Max. backlight & high CPU load)

Accessories

- External Adapter : 110~240V Ac-in Power Adapter

Order Options :

Mechanical : Open Frame	Storage : 2.5" HDD/ mSATA SSD
Touch : Resistive (Optional)	RAM : DDR3L 1333/1600 Max 16GB
	OS : Windows Embedded Standard 7 Windows 7 Pro for Embedded Windows Embedded 8 Windows Embedded 8.1 Industry Pro Windows 10 IoT Enterprise
Anti-Reflective Protective Glass (A customized housing is needed if you have demands of SAW/IR/IT/SC touch)	