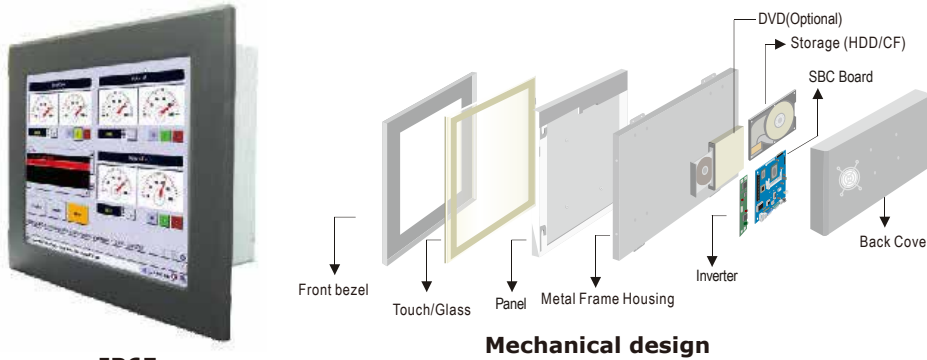


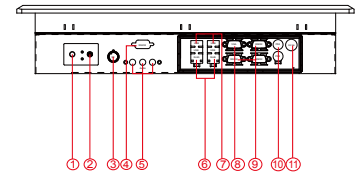
# R17IB7T-IPM1

## 17" Panel PC (Intel Celeron Bay Trial-M N2930 1.83GHz)

Mechanical Design



**Mechanical design**



1. Power On Button
2. Power Reset Button
3. Brightness Adjustment Knob
4. RS-232 Conn. (Optional)
5. Audio
6. LAN
7. USB(1 x 3.0, 3 x 2.0)
8. VGA
9. RS-232 Conn.
10. PS/2
11. 12V DC IN

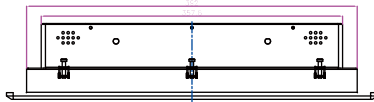
**Fully Integrated I/O**

**IP65  
(8 mm front bezel)**

FRONT VIEW

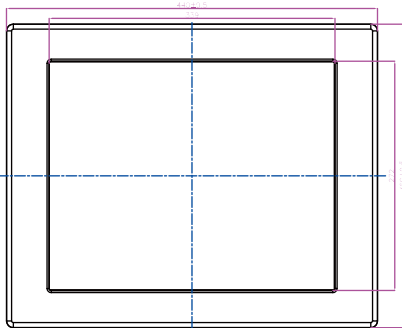
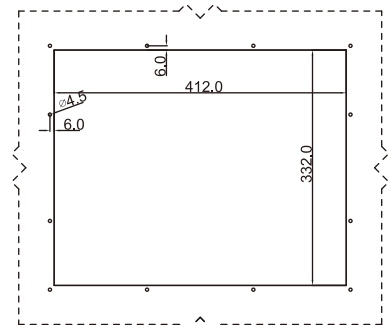
**Dimensions**

**IP65 CUT OUT**



SIDE VIEW

BACK VIEW



BOTTOM VIEW

- \* Measurements shown in mm
- \* Tolerance of all dimensions is shown as follow 0~30 mm ± 0.1 mm, 30~50 mm ± 0.15 mm, 50~120 mm ± 0.2 mm, above 120 mm ± 0.25 mm
- \* Note: this is a simplified drawing and some components are not marked in detail. Please contact our sales representative if you need further product information.

### Specifications

#### System :

- CPU : Intel® Celeron® Bay Trial-M N2930 1.83GHz
- Memory Slot : SODIMM DDR3L1600/1333max.8G
- System Chipset : Intel® Atom SoC Integrated
- IDE/SATA : 1 x SATA II
- LAN : Intel® I210-AT GbE LAN x 2
- Audio Codec : Realtek ALC886 HD Audio Codec

#### Input / Output :

- Serial Ports : 2 x RS232, 1 x RS232/422/485
- USB Ports : 1 x USB 3.0, 3 x USB 2.0
- Keyboard / Mouse : 2 x PS/2
- Ethernet : 2 x RJ45-10/100/1000 Mbps
- VGA : 1 x VGA (female)
- Audio : Line-out, Line-in, Mic in

• Default setting:RS232

#### Expansion Slot :

- 2 x Mini PCIe (1 for WiFi, 1 for 3G Module)
- 1 x eDP by 2x10 DF-13 connector

#### Power Specifications :

- Power Input : 12V DC IN

#### Accessories :

- External Adapter : 110~240V Ac-in power adapter

#### Security Support :

- Trusted Platform Module (TPM 1.2)

#### Panel Spec :

- Size/Type : 17" TFT
- Resolutions : 1280 x 1024
- Brightness : 350 nits (Optional 450 nits)
- Contrast Ratio : 1000 : 1(typ.)
- Viewing Angle : -85~85(H);-80~80(V)
- Max. Colors : 16.7M (6bits+FRC)

#### Environment Considerations :

- Operating Temperature : 0 deg.C to 50 deg.C
- Operating Humidity : 30% to 90% (non condensing)

#### OS BSP / Driver Support :

- Support Windows 10 IoT Enterprise / Windows embedded 8 / Windows embedded 7

#### Order Options :

- |                               |                                |
|-------------------------------|--------------------------------|
| Mechanical : IP65(8 mm bezel) | Storage : 2.5" HDD/ mSATA SSD  |
| Touch : 5-Wires Resistive     | RAM : SODIMM DDR3L             |
| AR Glass                      | 1600/1333max.8G                |
| (Either one)                  | OS : Windows 10 IoT Enterprise |
|                               | Windows 7 embedded /           |
|                               | Windows 8 embedded             |
|                               | (Optional)                     |
- (A customized housing is needed if you have demands of SAW/IR/IT/SC touch)