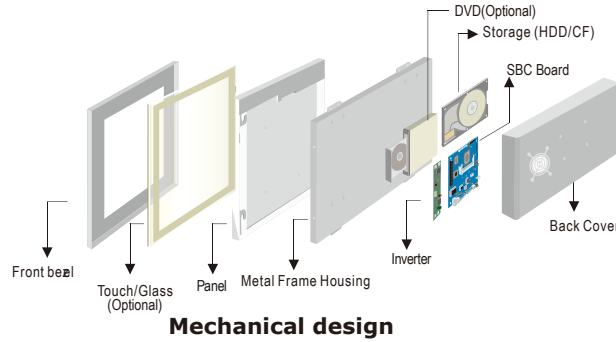


R17IB7T-PMM1 17" Panel PC (Intel Celeron Bay Trial-M N2930 1.83GHz)

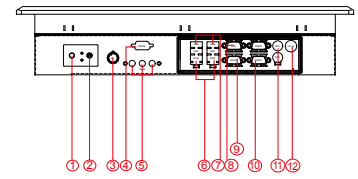
Mechanical Design



**Panel Mount
(8 mm front bezel)**



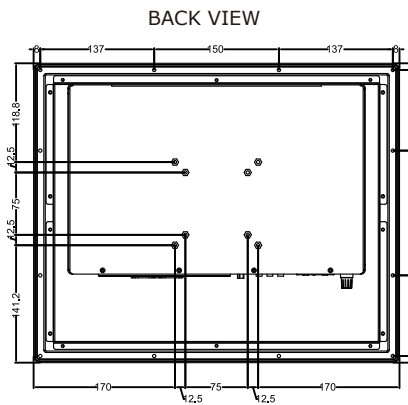
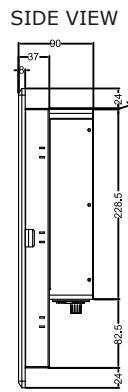
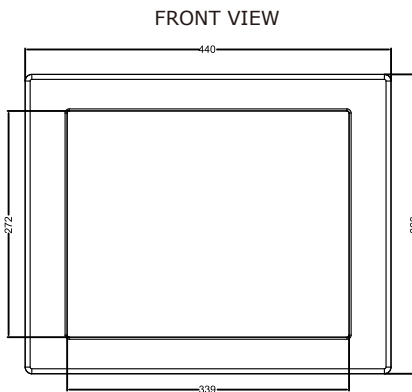
Mechanical design



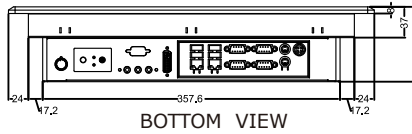
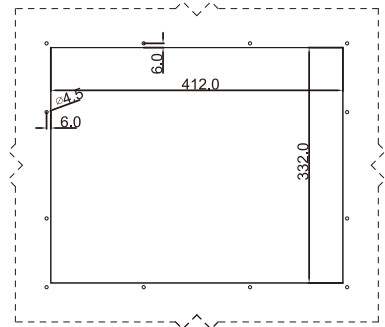
1. Power On Button
2. Power Reset Button
3. Brightness Adjustment Knob
4. RS-232 Conn.(Optional)
5. Audio
6. LAN
7. USB(1 x 3.0, 3 x 2.0)
8. VGA
9. RS232/422/485 Conn
10. RS-232 Conn.
11. PS/2
12. 12V DC-IN

Fully Integrated I/O

Dimensions



IP65 CUT OUT



BOTTOM VIEW

- * Measurements shown in mm
- * Tolerance of all dimensions is shown as follow 0~30 mm ± 0.1 mm, 30~50 mm ± 0.15 mm, 50~120 mm ± 0.2 mm, above 120 mm ± 0.25 mm
- * Note: this is a simplified drawing and some components are not marked in detail. Please contact our sales representative if you need further product information.

Specifications

System :

- CPU : Intel® Celeron® Bay Trial-M N2930 1.83GHz
- Memory Slot : SODIMM DDR3L 1600/1333 max. 8G
- System Chipset : Intel® Atom SoC Integrated
- IDE/SATA : 1 x SATA II
- LAN : Intel® I210-AT GbE LAN x 2
- Audio Codec : Realtek ALC886 HD Audio Codec

Input / Output :

- Serial Ports : 2 x RS232, 1 x RS232/422/485
- USB Ports : 1 x USB 3.0, 3 x USB 2.0
- Keyboard / Mouse : 2 x PS/2
- Ethernet : 2 x RJ45-10/100/1000 Mbps
- VGA : 1 x VGA (female)
- Audio : Line-out, Line-in, Mic in

• Default setting:RS232

Expansion Slot :

- 2 x Mini PCIe (1 for WiFi, 1 for 3G Module)
- 1 x eDP by 2x10 DF-13 connector

Power Specifications :

- Power Input : 12V DC IN

Accessories :

- External Adapter : 110~240V Ac-in power adapter

Security Support :

- Trusted Platform Module (TPM 1.2)

Panel Spec :

- Size/Type : 17" TFT
- Resolutions : 1280 x 1024
- Brightness : 350 nits (Optional 450 nits)
- Contrast Ratio : 1000 : 1(typ.)
- Viewing Angle : -85~85(H);-80~80(V)
- Max. Colors : 16.7M (6bits+FRC)

Environment Considerations :

- Operating Temperature : 0 °C to 50 °C
- Operating Humidity : 30% to 90% (non condensing)

OS BSP / Driver Support :

- Support Windows 10 IoT Enterprise / Windows embedded 8 / Windows embedded 7

Order Options :

Mechanical : Open Frame Panel Mount (8 mm bezel) IP65(8 mm bezel)	Storage : 2.5" HDD/ mSATA SSD RAM : SODIMM DDR3L 1600/1333 max. 8G
Touch : 5-Wires Resistive (Optional) AR Glass(Optional)	OS : Windows 10 IoT Enterprise Windows 7 embedded / Windows 8 embedded (Optional)
(A customized housing is needed if you have demands of SAW/IR/IT/SC touch)	

