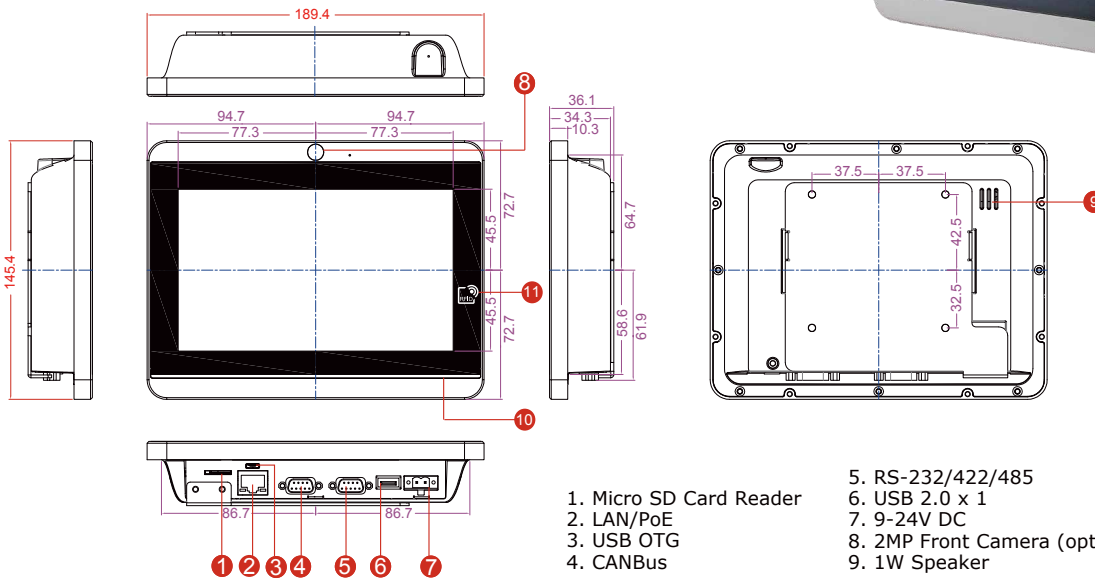


# 7" S-Series HMI - W07FA3S-PC01AC-PoE

## Features

- 7" 1024 x 600 Resolution with Projected Capacitive Multi-Touch (P-CAP)
- Fanless cooling system and ultra-low power consumption
- Built-in RGB LED Light Bar Indicator
- Support PoE
- Optional 2MP Front Camera
- Optional HF RFID Reader
- Stylish design for room booking, access control and room information applications



- 1. Micro SD Card Reader
- 2. LAN/PoE
- 3. USB OTG
- 4. CANBus
- 5. RS-232/422/485
- 6. USB 2.0 x 1
- 7. 9-24V DC
- 8. 2MP Front Camera (optional)
- 9. 1W Speaker
- 10. RGB LED Light Bar
- 11. HF RFID Reader (optional)

## Specifications

### System

- Processor : Freescale Cortex A9 i.MX6 Dual Core 1GHz (Optional Quad Core)
- System Memory : 1GB LPDDR3 (Optional 2GB LPDDR3)
- Storage : 16 GB eMMC (default), Micro SD card

### Input / Output

- Serial Ports : 1 x RS-232/422/485
- USB Ports : 1 x USB 2.0 host, 1 x USB OTG
- SD Card Slot : 1 x Micro SD Card Slot
- Ethernet : 1 x RJ 45-10/100/1000 Mbps LAN support PoE function
- Speaker : 1 x 1 Watt Speaker
- CANBus : 1 x CANBus

### Environment

- Operating Temperature : 0 °C to 50 °C
- Operating Humidity : 10% to 90% (non-condensing)
- IP Rating : Front: IP65 water and dust proof Full: IP22

### Software Support

- Programming Guide : Android 6.0 (Default)  
Linux Kernel 4.1.15, QT5.5 (Optional)  
Ubuntu 16.04 (Optional)

### Display

- Size/Type : 7" TFT (Widescreen)
- Resolution : 1024 x 600
- Brightness : 1000 cd/m (typ.)
- Contrast Ratio : 500:1 (typ.)
- Viewing Angle : -75~75(H); -75~70(V)
- Max Colors : 16.7M
- Touch : Projected Capacitive Multi-Touch (P-CAP)

### Mechanical Specification

- Cooling System : Fanless design
- Mounting : VESA Mount (75x75mm), Panel Mount
- Dimensions(W x H xD) : 189.4 x 145.4 x 36.1 (mm)
- Cutout Dimensions (W x D): 131.4 x 175.4 (mm)

### Power Considerations

- Power Input : 9-24V DC
- Power Over Ethernet : Power Device (PD) follows IEEE 802.3at (25 W), IEEE 802.3af (15 W)
- Power Consumption : 10W

### Peripheral (Optional):

- RFID : HF RFID Reader 13.56 MHz
- Front Camera : 2MP Front Camera

