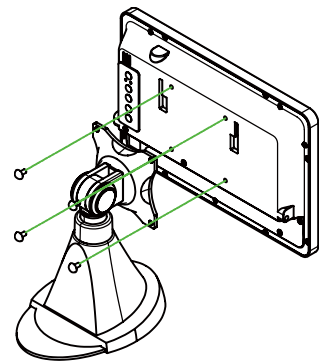
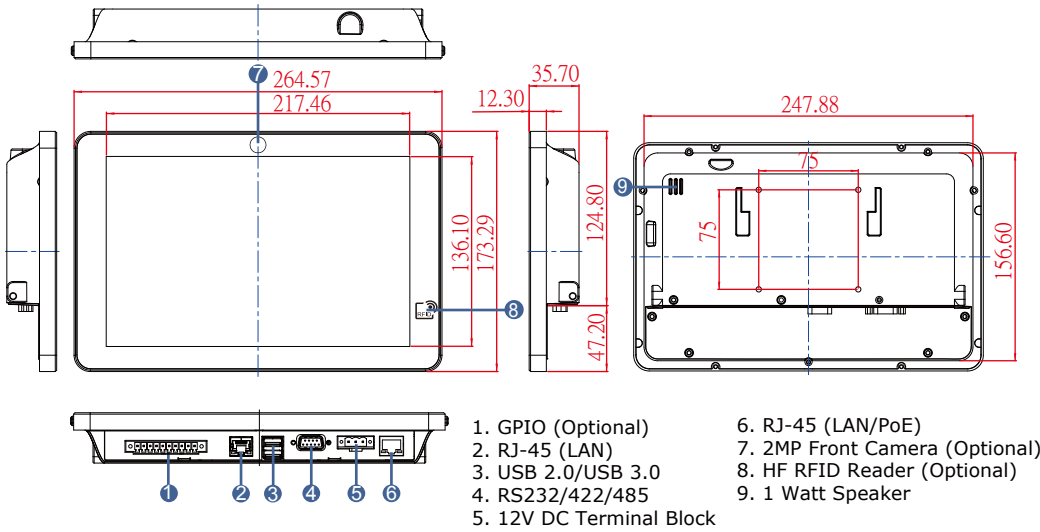


10.1" S-Series HMI - W10IB3S-PCH2-PoE

Features

- 10.1" 1280x 800 Resolution with Projected Capacitive Multi-Touch (P-CAP)
- Low-Power System with Intel® Celeron® N2930 Processor
- Fanless Cooling System and Ultra-low Power Consumption
- Dual Gigabit Ethernet
- Support PoE function
- Front IP65 Water and Dust Proof
- Optional HF RFID Reader
- Optional 2MP Front Camera
- Room Booking Schedule, Access Control, Room Information Display



VESA Desk Stand (optional)

Specifications

System :

- Processor : Intel® Celeron® Bay Trail-M N2930 1.83GHz
- System Chipset : Intel® ATOM SoC Integrated
- System Memory : 2GB DDR3L 1640 SODIMM (Optional 4G)
- Storage : 64GB M.2 SSD
- LAN : Dual Intel® I210-AT GbE LAN

Input / Output :

- Serial Ports : 1 x RS232/422/485
- USB Ports : 1 x USB 3.0
1 x USB 2.0
- Ethernet : 1 x RJ 45-10/100/1000 Mbps (LAN)
1 x RJ 45(PoE)
- Speaker : 1 x 1 Watt Speaker
- DIDO : 1 x GPIO (Optional)

Display Spec :

- Size/Type : 10.1" TFT (Wide screen)
- Resolutions : 1280x800
- Brightness : 350cd/m (typ.)
- Contrast Ratio : 800 : 1 (typ.)
- Viewing Angle : -85~85(H); -85~85(V)
- Max Colors : 16.7M
- Touch : Projected Capacitive Multi-Touch (P-CAP)

Power Specifications :

- Power Input : 12V DC
- Power Over Ethernet : Power Device (PD)
follows IEEE 802.3at (25 W)
- Power consumption : 19W

Mechanical Specification :

- Cooling System : Fanless design
- Mounting : VESA Mount(75x75mm), Panel Mount,
Front Side Wall Mount
- Dimension (W x H x D) : 263.28x172 x 35.7 (mm)

Environment Considerations :

- Operating Temperature : 0 °C to 50 °C
- Operating Humidity : 10% to 90% (non-condensing)
- IP Rating : Front IP65

OS/BSP Driver Support :

- Operating System : Windows 10 IoT Enterprise
Windows Embedded 8.1 Industrial
Windows Embedded Standard 7
- *Windows 8 requires a 1024 x 768 resolution to operate Metro UI

Peripheral :

- HF RFID Reader : HF RFID Reader 13.56 MHz (Optional)
- Front Camera : 2 MP Front Camera (Optional)

Software :

- Utility : "HotTab"