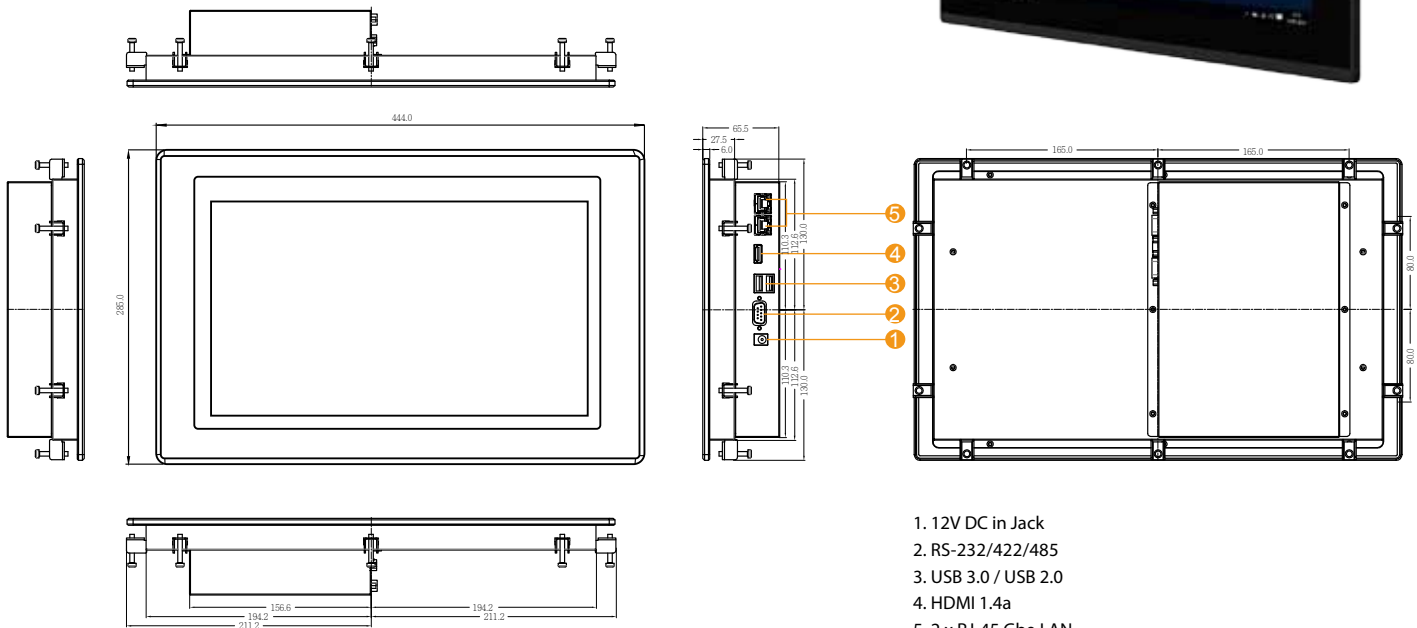


Winmate E-Series HMI

15.6" E-Series HMI with Bay Trail Platform

W15IB3S-EHA4

- 15.6" 1920 x 1080 Resolution
- P-cap Multi-touch screen
- Front IP65 Water and Dust Proof
- Dual Gigabit Ethernet
- Fanless cooling system and Ultra-low power consumption



1. 12V DC in Jack
2. RS-232/422/485
3. USB 3.0 / USB 2.0
4. HDMI 1.4a
5. 2 x RJ-45 Gbe LAN

Specifications

System

- Processor : Intel® Celeron® Bay Trail-M N2930 1.83GHz
- System Chipset : Intel® ATOM SoC Integrated
- System Memory : 2GB DDR3L 1066/1333 SO-DIMM (optional 4 GB)
- Storage : 64GB mSATA SSD
- LAN : Dual Intel® I210-AT GbE LAN
- Security : Trusted platform module (TPM 1.2)

Input / Output :

- USB Ports : 1 x USB 2.0 , 1 x USB 3.0
- COM port : 1 x RS232/422/485
- Ethernet : 2 x RJ45, 10/100/1000
- HDMI : 1 x HDMI 1.4a

Software Support

- Watchdog SDK

Power Specifications :

- Power Input : 12V DC in Jack
- Power Consumption : 23W (typ.)

Display Spec :

- Size/Type : 15.6" TFT (Wide screen)
- Resolutions : 1920 x 1080
- Brightness : 300 cd/m (typ.)
- Contrast Ratio : 800 : 1 (typ.)
- Viewing Angle : -85~85(H); -85~85(V)
- Max Colors : 262K
- Touch : Projective-Capacitive Touch

Mechanical Specification :

- Cooling System : Fanless design
- Mounting : Mounting clips x 10
- Dimension (WxHxD) : 444 x 285 x 65.5 (mm)
- Design : Panel Mount Front IP65 Design

Environment Considerations :

- Operating Temperature : -10 deg.C to 50 deg.C
- Operating Humidity : 10% to 90% (non-condensing)
- IP Rating : Front IP65

OS/BSP Driver Support :

- Operation System : Windows 10 IoT
Windows Embedded 8.1 Industry
Windows Embedded 8 Standard
Windows Embedded Standard 7

