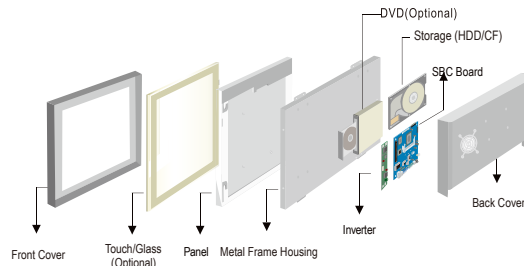


W15IB7T-CHA2 15.6" Panel PC (Intel Celeron Bay Trial-M N2930 1.83GHz)

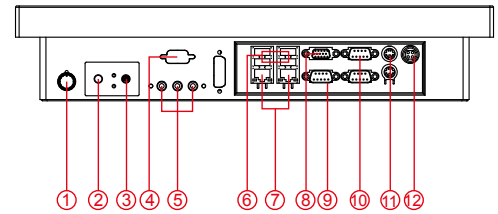
Mechanical Design



Chassis

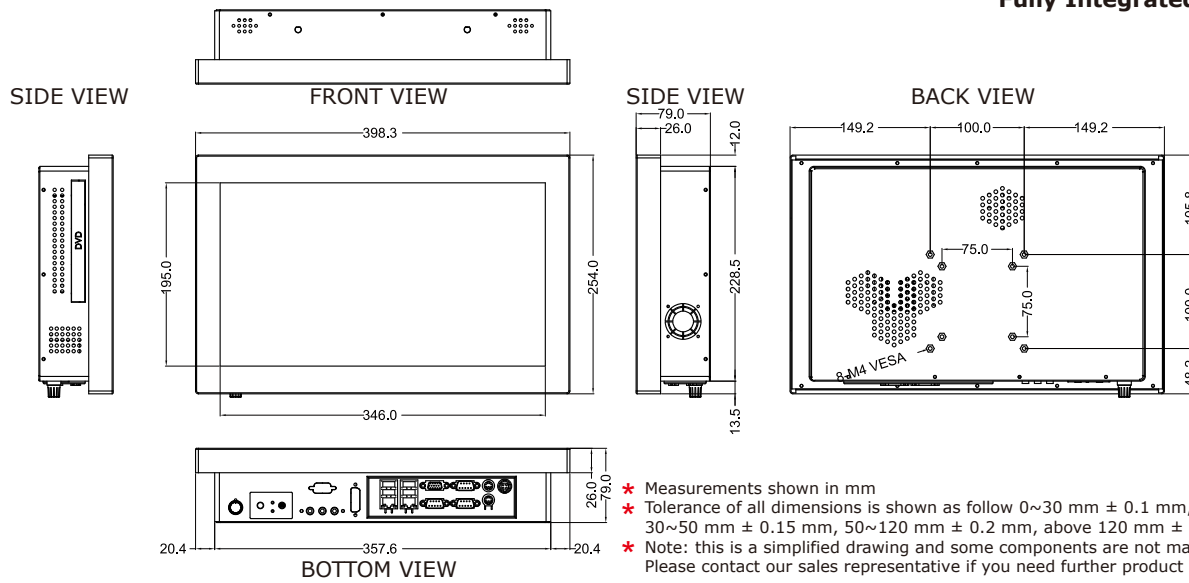


Mechanical design



- | | |
|-------------------------------|-----------------------|
| 1. Brightness Adjustment Knob | 7. LAN |
| 2. Power On Button | 8. VGA |
| 3. Power Reset Button | 9. RS232/422/485 Conn |
| 4. RS-232 Conn. (Optional) | 10. RS-232 Conn |
| 5. Audio Jack | 11. PS/2 |
| 6. USB (1 X 3.0, 3 X 2.0) | 12. 12V DC-in |

Dimensions



Fully Integrated I/O

- * Measurements shown in mm
- * Tolerance of all dimensions is shown as follow 0~30 mm ± 0.1 mm, 30~50 mm ± 0.15 mm, 50~120 mm ± 0.2 mm, above 120 mm ± 0.25 mm
- * Note: this is a simplified drawing and some components are not marked in detail. Please contact our sales representative if you need further product information.

Specifications

System :

- CPU : Intel® Celeron® Bay Trial-M N2930 1.83GHz
- Memory Slot : DDR3L -1600 MHz SO-DIMM x 2 Slot (MAX to 8GB)
- System Chipset : Intel Atom SoC Integrated
- IDE/SATA : 1 x SATA II
- LAN : Intel® I210-AT GbE LAN x 2
- Audio Codec : Realtek ALC886 HD Audio Codec

Input / Output :

- Serial Ports : 2 x RS232, 1 x RS232/422/485
- USB Ports : 1 x USB 3.0, 3 x USB 2.0
- Keyboard / Mouse : 2 x PS/2
- Ethernet : 2 x RJ45-10/100/1000 Mbps
- VGA : 1 x VGA (female)
- Audio : Line-out, Line-in, Mic in

• Default setting:RS232

Expansion Slot :

- 2 x Mini PCIe (1 for WiFi, 1 for 3G Module)
- 1 x eDP by 2x10 DF-13 connector

Power Specifications :

- Power Input : 12V DC IN
- Power Consumption : 43W (typ.)(Max.backlight & high CPU load)

Accessories :

- External Adapter : 110~240V Ac-in Power Adapter

Panel Spec :

- Size/Type : 15.6" TFT LCD
- Resolutions : 1366 x 768
- Brightness : 300 cd/m²(typ.)
- Contrast Ratio : 500 : 1(typ.)
- Viewing Angle s : -85~85(H);-80~80(V)
- Max Colors : 16.7M

Environment Considerations :

- Operating Temperature : 0 °C to 50 °C
- Operating Humidity : 30% to 90% (non condensing)

OS BSP / Driver Support :

- Support Windows 10 IoT Enterprise / Windows 7 embedded / Windows 8 embedded

Order Options :

Mechanical : Chassis	Storage : 2.5" HDD mSATA SSD
	RAM : DDR3 1600 Max 8 GB
	OS : Windows 10 IoT Enterprise
Touch : 5 Wire Resistive (Optional)	Windows 7 embedded / Windows 8 embedded (Optional)

(A customized housing is needed if you have demands of SAW/IR/IT/SC touch)