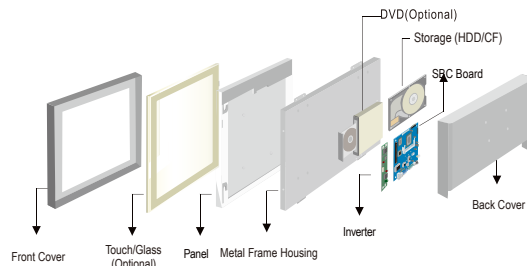


W18IB7T-CHA2 18.5" Panel PC (Intel Celeron Bay Trial-M N2930 1.83GHz)

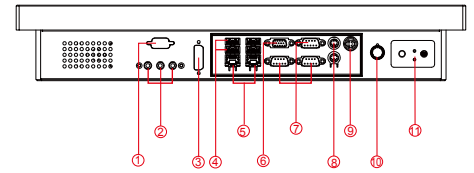
Mechanical Design



Chassis



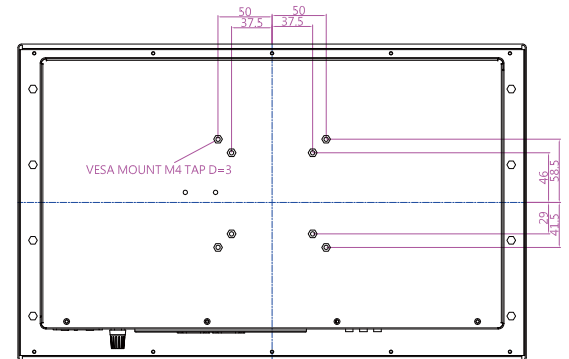
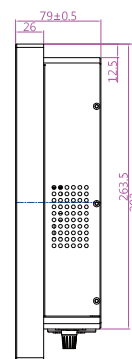
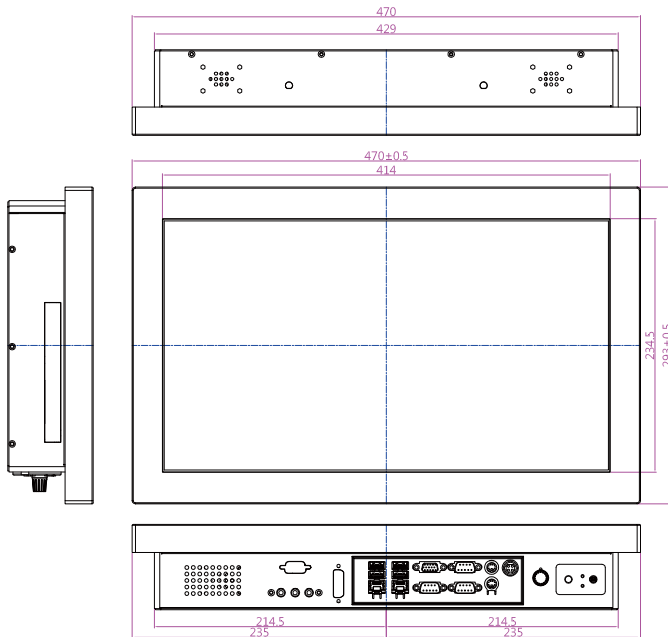
Mechanical design



1. RS-232 Conn. (Optional)
2. Audio Jack
3. DVI(Optional)
4. USB(1 x 3.0, 3 x 2.0)
5. RJ-45
6. VGA
7. RS-232 Conn.
8. PS/2
9. 12V DC-IN
10. Brightness Adjustment Knob
11. OSD Membrane

Dimensions

Fully Integrated I/O



- * Measurements shown in mm
- * All Dimensions are ± 0.5 mm
- * Note: this is a simplified drawing and some components are not marked in detail. Please contact our sales representative if you need further product information.

Specifications

System :	
• CPU	: Intel® Celeron® Bay Trial-MN2930 1.83GHz
• Memory Slot	: SODIMM DDR3L 1600 max. 8G
• System Chipset	: Intel®Atom SoC Integrated
• IDE/SATA	: 1 x SATA II
• LAN	: Intel® I210-AT GbE LAN x 2
• Audio Codec	: Realtek ALC886 HD Audio Codec

Input / Output :	
• Serial Ports	: 2 x RS232, 1 x RS232/422/485
• USB Ports	: 1 x USB 3.0, 3 x USB 2.0
• Keyboard / Mouse	: 2 x PS/2
• Ethernet	: 2 x RJ45-10/100/1000 Mbps
• VGA	: 1 x VGA (female)
• Audio	: Line-out, Line-in, Mic in

● Default setting:RS232

Expansion Slot :	
•	2 x Mini PCIe (1 for WiFi, 1 for 3G Module)
•	1 x eDP by 2x10 DF-13 connector

Power Specifications :	
• Power Input	: 12V DC IN
• Power Consumption	: 57W (typ.)(Max.backlight & high CPU load)

Accessories :	
• External Adapter	: 110~240V Ac-in Power Adapter

Panel Spec :	
• Size/Type	: 18.5" TFT
• Resolutions	: 1366 x 768
• Brightness	: 250 cd/m ² (typ.)
• Contrast Ratio	: 1000 : 1(typ.)
• Viewing Angle	: -85~85(H); -80~80(V)
• Max. Colors	: 16.7M (8bits/colors)

Environment Considerations :	
• Operating Temperature	: 0 deg.C to 50deg.C
• Operating Humidity	: 30% to 90% (non-condensing)

OS BSP / Driver Support :	
• Support	Windows 10 IoT Enterprise / Windows Embedded 8 / Windows Embedded 7

Security Support :	
•	Trusted Platform Module (TPM 1.2)

Order Options :	
Mechanical	: Chassis
Touch	: 5-Wires Resistive (Optional) AR Glass(Optional)
Storage	: 2.5" HDD / mSATA SSD
RAM	: SODIMM DDR3L 1600 max. 8Gb
OS	: Windows 10 IoT Enterprise Windows 7 Embedded Windows 8 Embedded (Optional)

(A customized housing is needed if you have demands of SAW/IR/IT/SC touch)

Note: All Specifications are subject to change without prior notice!

Revised date: 28-Jun-2018 V1.0

