

W22IV7T-PMA3PS 21.5" Panel PC (Intel® 3rd Generation Core™ i7/i5/i3)

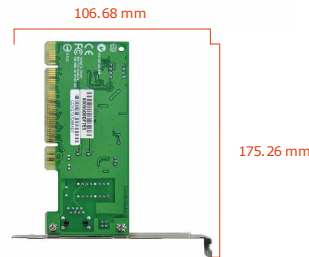
Mechanical Design



Panel Mount (8 mm front bezel)



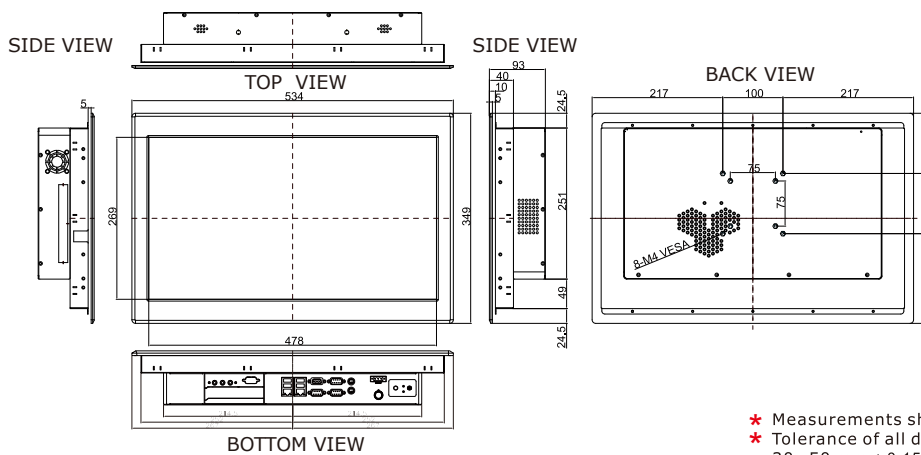
PCI Input
(Optional PCIe)



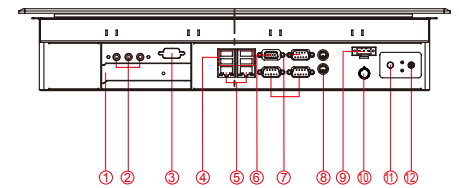
Feature:

- Designed for one PCI Slot (Optional PCIe)
- No convex part on IO side edge
- Only Support half-size PCI Card
15.24 x 175.26 x 106.68 mm

Dimensions



Fully Integrated I/O



1. PCI Card Slot (Optional PCIe)
2. Audio Jack
3. RS-232 Conn.(Optional)
4. USB
5. RJ45
6. VGA Out
7. RS-232 Conn.
8. PS/2
9. 12V DC-in Terminal Block (Phoenix type)
10. Brightness Adjustment Knob
11. Power On Button
12. Power Reset Button

- * Measurements shown in mm
- * Tolerance of all dimensions is shown as follow 0~30 mm ± 0.1mm, 30~50 mm ± 0.15 mm, 50~120 mm ± 0.2 mm, above 120 mm ± 0.25 mm
- * Note: this is a simplified drawing and some components are not marked in detail. Please contact our sales representative if you need further product information.

Specifications

System

- CPU : Intel® 3rd Generation Core™ i7/i5/i3
- Memory : 2 x SO-DIMM, Max 16GB DDR3 1333/1600
- System Chipset : Intel® HM76 Chipset
- Storage : 1 x SATAIII, 1 x SATAII, 1 x mSATA
- LAN : Dual Broadcom BCM57780 GbE
- Audio Codec : Realtek ALC886 HD Audio Codec

Panel Spec

- Size/Type : 21.5" TFT
- Resolutions : 1920 x 1080
- Brightness : 250 cd/m² (typ.)
- Contrast Ratio : 1000 : 1 (typ.)
- Viewing Angles : -89~89(H); -89~89(V)
- Max Colors : 16.7M(8bits/colors)

Input / Output

- Serial Ports : 2 x RS232, 1 x RS232 (Default) / 422 / 485
- USB Ports : 4 x USB 3.0
- Keyboard / Mouse : 2 x PS/2
- Ethernet : 2 x RJ 45 Gbit
- VGA : 1 x VGA (female)
- Audio : Line-Out, Line-In, Mic in
- DVI : 1 x DVI (optional)

Environment Considerations

- Operating Temperature : 0°C to 50°C
- Operating Relative Humidity : 30% to 90% (non condensing)

Expansion Slot

- 1 x PCI (15.24 x 175.26 x 106.68 mm) (Optional PCIe)

Power Specifications

- Power Consumption : 98W(typ.)(Max.backlight & high CPU load)

Accessories

- External Adapter : 110~240V Ac-in power adapter

Order Options

| | |
|---|--|
| Mechanical : Panel Mount (8mm bezel) | CPU : Check with Sales |
| Touch : 5 Wires Resistive (Optional) | RAM : SO-DIMM DDR3 |
| | Storage : 2.5"HDD/mSATA SSD |
| | OS : Windows Embedded Standard 7 |
| | Windows 7 Pro for Embedded |
| | Windows Embedded 8 |
| | Windows Embedded 8.1 Industry Pro |
| | Windows 10 IoT Enterprise |
| | Anti-Reflective Protective Glass (A customized housing is needed if you have demands of SAW/IR/IT/SC touch) |