

Winmate Modular Box PC

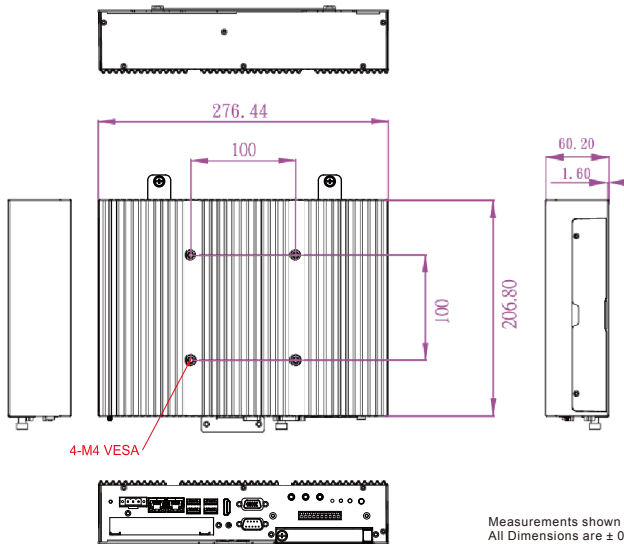
Modular Box PC with Intel® Core™ i5-7200U

IKMH100

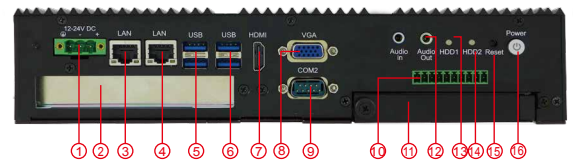


Features:

- Auto detection of the connected display, No settings necessary
- Quick & Easy Replaceable Hard Disk Design, No Tools required
- Support wide range 9-29V isolation DC
- Optional with Modular front Display as a Panel PC
- Expansion slot for PCIe4
- One Quick & Easy Removable 2.5" SSD Bay Slot



Measurements shown in mm
All Dimensions are ± 0.5 mm



1. 12-24V DC-in
2. PCIe Slot Cover
(1 x Half-length PCIe x4 Card)
3. LAN
4. LAN
5. USB 3.0 x 2
6. USB 3.0 x 2
7. HDMI output
8. VGA output
9. COM2
10. DIDO (Optional)
11. 2.5" SSD Bay x 1
12. Audio in
13. Audio out
14. HDD indicators
15. Reset
16. Power Button

* Note: this is a simplified drawing and some components are not marked in detail.
Please contact our sales representative if you need further product information.

System Specification

Processor	: Intel® Core i5-7200U Kaby Lake 2.5GHz (turbo to 3.1GHz)
BIOS	: Insyde BIOS
System Memory	: DDR4-2133 SO-DIMM (Max 16GB)
System Chipset	: Intel® SoC Integrated
Graphic Chipset	: Intel® SoC Integrated
Ethernet	: 1000 Base-Tx Gigabit Ethernet Compatible
Audio	: Realtek ALC283 HD Audio Codec
USB	: 4 x USB 3.0
Serial Port	: 1 x RS232/ 422 / 485 selected by jumper,
Expansion Slot	: 1 x PCIe4
Main Storage	: 2.5" 64GB SSD (Optional up to 512GB)
Second Storage (Optional)	: mSATA 64GB (Options up to 512GB)

Mechanical Specification

Construction	: Aluminum housing
Mouting	: Desktop/Wall Mount (Optional Panel Mount with Front Display)
Dimensions	: 274.66(L) x 206.8(W) x 60.2(H)

Power Supply

Power Input	: 9-29 V DC in with protection Fuse
Power Adapter	: 110-240AC to 12V DC out 80W power Adapter

Optional Operating System

Operating System : Windows 10 IoT Enterprise

Environmental Specification

Operation Temperature	: 0~ 50°C
Operating Humidity	: 30%-95% at 40°C(non-condensing, RH)

I/O Connectors

I/O Connectors	: 9-24V Isolation DC in x1 (Terminal Block 3pin)
	Gigabit LAN x 2
	USB3.0 x4
	HDMI Output x1
	D-Sub15 (VGA) Output x1
	RS232/422/485 selectable serial port x1
	Audio in Jack x1
	Audio out Jack x1
	Reset key x1
	Power Button x1
	2.5" SSD indicators x1
	Isolation DIDO x8, In/4 Out (Optional)

Packing List

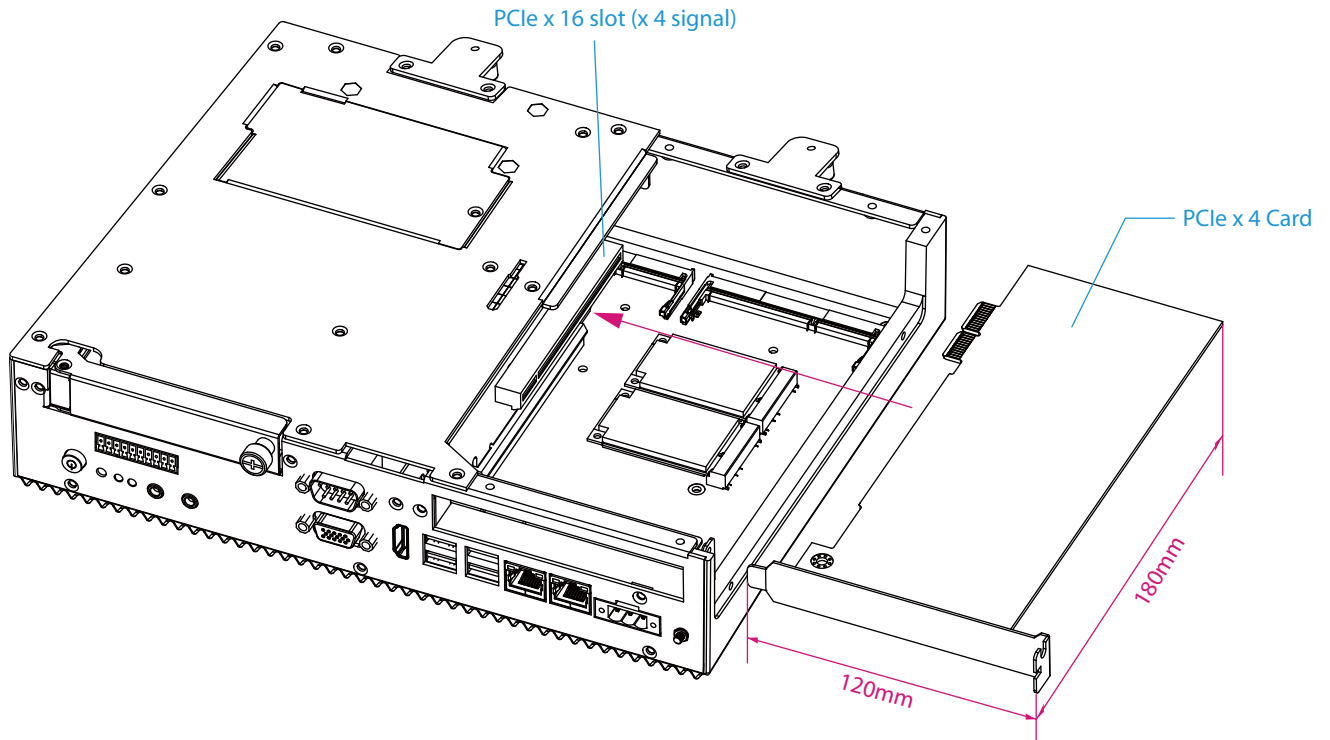
Driver CD	x1
110-240AC to 12V DC out 80W power Adapter	x1
Terminal Block female connector	x1
Power Cord	x1

Winmate Modular Box PC

Modular Box PC with Intel® Core™ i5-7200U

IKMH100

Expansion PCIe card dimension info.



PCIe card height limit

