

Rugged Panel PC



Model:R10IB3S-GMT2

Product Features:

- Ultra Low Bay Trail N2930 1.83GHz Processor Fanless Design
- High Quality 10.4" Panel, 1024 x 768 resolution
- Full IP65 Dust / Water Proof Enclosures
- Aluminum Housing with Anti-Corrosion Treatments
- Anti-Shock and Vibration Standard according to MIL-STD-810F/G & IEC60068-2-27
- 5 Wire Resistive / Infrared Touchscreen / Anti-Reflective Protection Glass (Optional)
- Wireless LAN with Antenna (Optional)
- Wide Range 9 to 36V DC Input with isolation
- Compliance with EN50155 for EMC & Characteristic



Product Specifications:

| | | |
|------------------------|-----------------------------------------------|-----------------------------------------------------------------------------------------------|
| Display | Model Name | R10IB3S-GMT2 |
| | Size | 10.4" |
| | Resolution (pixels) | 1024 x 768 |
| | Number of Colors | 16.2M (6 bits+FRC) |
| | Brightness (cd/m ²) | 350 (typ.) |
| | Contrast Ratio | 1000 :1 (typ.) |
| | Viewing Angle | -88~88 (H) ; -88~88 (V) |
| | Active Area | 210.4 (H) x 157.8 (V) |
| System | Touch (optional) | 5 Wire Resistive |
| | Processor | Intel®Bay Trail N2930 1.83Ghz Processor |
| | Chipset | Bay Trail SoC Chipset |
| | BIOS | AMI 16Mbit Flash |
| | Memory | 1xDDR3L 1600 MHz SO-DIMM Max. 8GB |
| | Ethernet | Intel®I210-AT GbE LAN |
| | Storage | mSATA SSD (Default 64GB) |
| Input / Output | Expansion Slot | 1 x Mini PCIe slot (for wireless module) |
| | Power | 1 x 9-36VDC |
| | Ethernet LAN | 1 X RJ45 - 10/100/1000 Mbps |
| | COM | 1 x RS232 |
| | USB | 2 x USB 2.0 |
| Environment | Operating Temperature | -10 deg. C to 55 deg. C |
| | Storage Temperature | -30 deg C to 70 deg C |
| | Humidity | 10% to 95% (non condensing) |
| | Shock | Operating:30g for 18ms, 300m/s2 |
| | Vibration | Operating:1.60/1.96/2.18 g rms for XYZ/ 5-500Hz |
| | Power Input | 9~36V DC in with isolation (Phoenix type) Optional 6-60V DC in, with Ignition On/Off delay |
| | Power Consumption | 32W typ. |
| Mechanical | IP Rating | Full IP65 |
| | Dimensions (W x L x H) | 315.93 mm x 250.93 mm x 67 mm |
| Driver OS Support | Approximate Weight | 3.3Kg* |
| | | *Weight of this device will be more or less depending upon actual component configuration |
| Packing List | Windows Embedded Standard 7 (64-bit) | |
| | Windows Embedded 8.1 Industry Pro 64-bit | |
| | Windows 10 IoT Enterprise | |
| Product Optional Items | Mounting Bracket and Kits | One robust bracket with locking handle (Can adjust from -5 deg.C to 90 deg.C) |
| | Sunlight Readable | Use high brightness Panel |
| | Anti-reflective Glass | 3 mm (Replace touch) |
| | WLAN | Mini PCIe base Wireless LAN card with SMA antenna |
| Security Support | Trusted Platform Module (TPM 1.2) | |
| Certifications | MIL-STD-810F/G for vibration / shock, CE, FCC | |

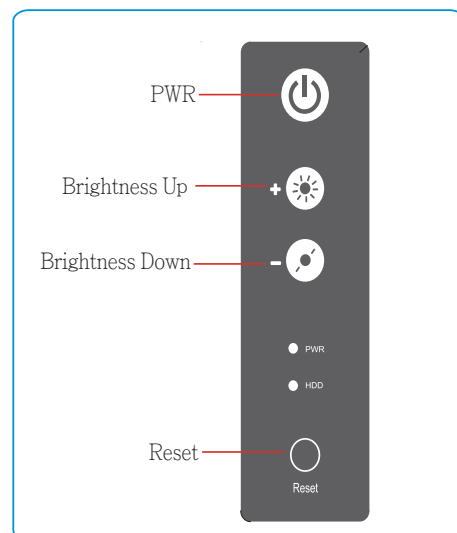


I / O View:

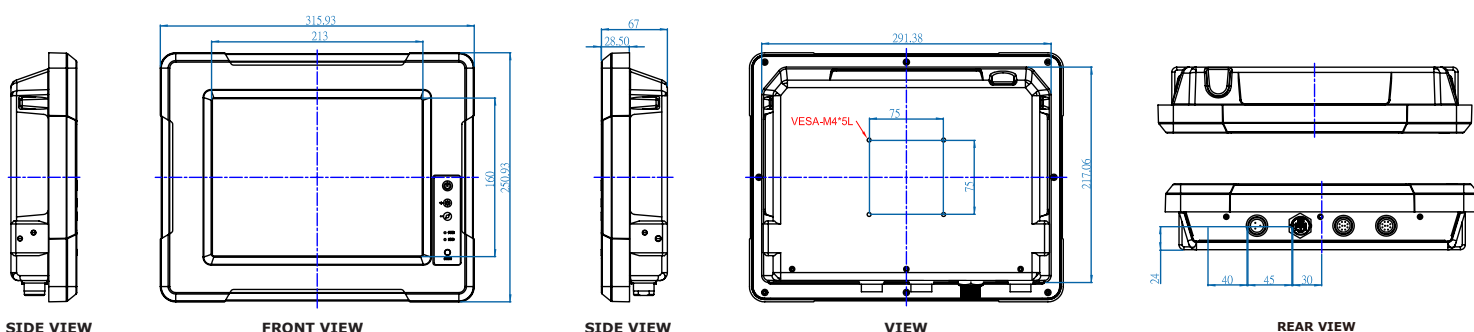


1. 1 x 9-36VDC
2. 1 X RJ45 - 10/100/1000 Mbps
3. 1 x RS232
4. 2 x USB 2.0

Front OSD Control Function:



Drawing:



SIDE VIEW

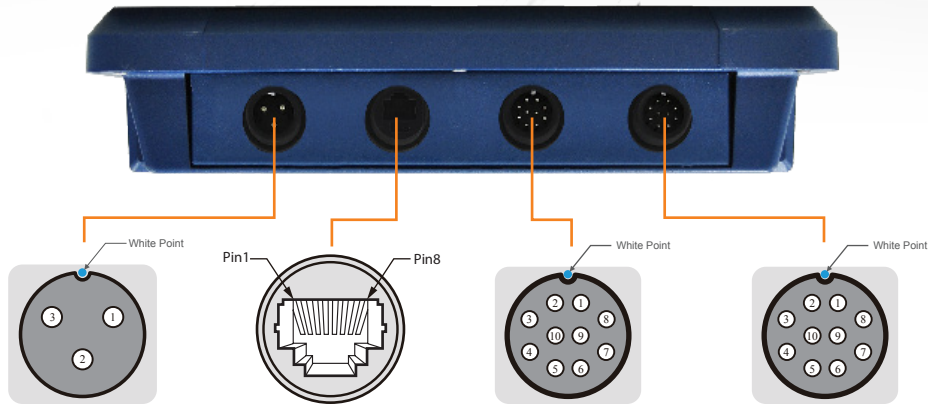
FRONT VIEW

SIDE VIEW

VIEW

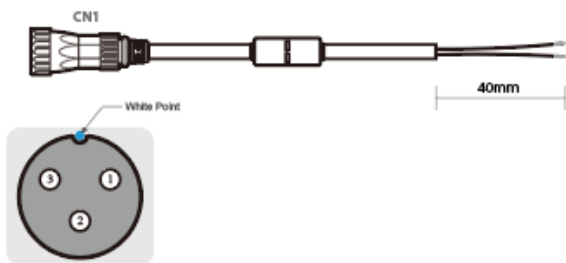
REAR VIEW





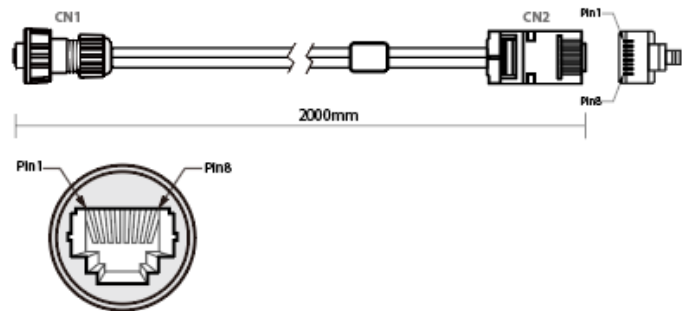
Pin Assignment of cables:

DC Power Cable



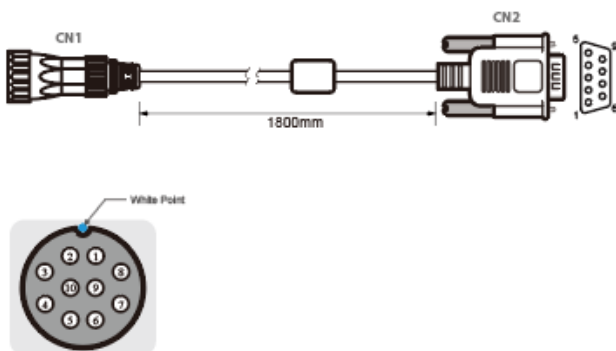
| Pin No. | Symbols | Color | ↔ | Pin No. | Symbols | Color |
|---------|---------|-------|---|---------|---------|-------|
| CN1-1 | VCC | Red | | Open | VCC | Red |
| CN1-3 | GND | Black | | Open | GND | Black |
| CN1-2 | Shield | | | | Shield | |

LAN Cable



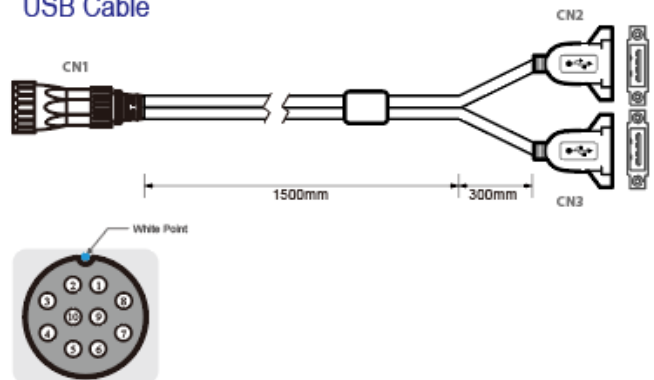
| Plug | Wire Color | Conn. | |
|------|----------------|-------|-------|
| 1 | Orange / White | 1 | Twist |
| 2 | Orange | 2 | |
| 3 | Green / White | 3 | Twist |
| 4 | Blue | 4 | |
| 5 | Blue / White | 5 | Twist |
| 6 | Green | 6 | |
| 7 | Brown / White | 7 | Twist |
| 8 | Brown | 8 | |

Serial Cable



| Pin No. | Symbols | Color | ↔ | Pin No. | Symbols | Color |
|---------|----------|--------|---|---------|----------|--------|
| CN1-1 | DCD-CON2 | Green | | CN2-1 | DCD-CON2 | Green |
| CN1-2 | DSR-CON2 | Brown | | CN2-6 | DSR-CON2 | Brown |
| CN1-3 | RXD-CON2 | Red | | CN2-2 | RXD-CON2 | Red |
| CN1-4 | RTS-CON2 | Orange | | CN2-7 | RTS-CON2 | Orange |
| CN1-5 | TXD-CON2 | Blue | | CN2-3 | TXD-CON2 | Blue |
| CN1-6 | CTS-CON2 | White | | CN2-8 | CTS-CON2 | White |
| CN1-7 | DTR-CON2 | Purple | | CN2-4 | DTR-CON2 | Purple |
| CN1-8 | RI-CON2 | Yellow | | CN2-9 | RI-CON2 | Yellow |
| CN1-9 | GND-CON2 | Black | | CN2-5 | GND-CON2 | Black |
| CN1-10 | NC | | | CN2-10 | NC | |

USB Cable



| Pin No. | Symbols | Color | ↔ | Pin No. | Symbols | Color |
|---------|---------|-------|---|------------------------------|---------|-------|
| CN1-1 | VCC | RED | | CN2-1 | VCC | RED |
| CN1-2 | VCC | RED | | CN3-1 | VCC | RED |
| CN1-3 | D- | WHITE | | CN2-2 | D- | WHITE |
| CN1-4 | D- | WHITE | | CN3-2 | D- | WHITE |
| CN1-5 | D+ | GREEN | | CN2-3 | D+ | GREEN |
| CN1-6 | D+ | GREEN | | CN3-3 | D+ | GREEN |
| CN1-7 | GND | BLACK | | CN2-4 | GND | BLACK |
| CN1-8 | GND | BLACK | | CN3-4 | GND | BLACK |
| CN1-9 | Braid | | | Braid connect to the housing | | |