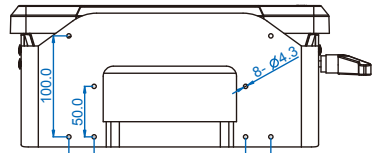
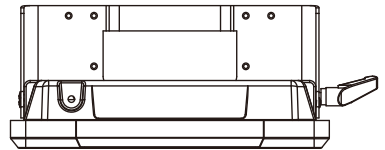
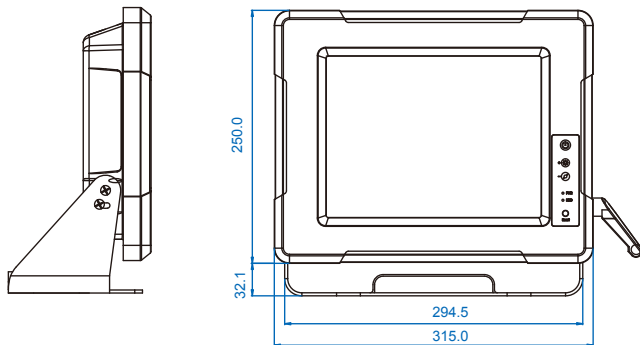


1. Military Grade Lockable (MS27467T9F98S) Power Connector
2. RS232/422/485
3. 1xUSB 3.0, 1xUSB 2.0
4. HDMI
5. 2xRJ45

Drawingw / Mounting Bracket



TOP VIEW

REAR VIEW

Measurements shown in mm / All Dimensions are ± 0.5 mm

* Note: this is a simplified drawing and some components are not marked in detail. Please contact our sales representative if you need further product information.

System Specification

Processor	: Intel® Bay Trail N2930 1.83GHz
Chipset	: Bay Trail SoC Chipset
BIOS	: AMI 16Mbit Flash
Memory	: 1xDDR3L 1066 / 1333 MHz SO-DIMM default 4GB, Max. 8GB
Ethernet	: Intel® I210-AT GbE LAN
Storage	: mSATA SSD, default 64GB
Expansion Slot	: 1 x Mini PCIe slot (for wireless module) 1 x Mini PCIe slot (for SATA SSD)

Mechanical and Environment

Dimensions (W x L x H)	: 315 mm x 250 mm x 67mm
Power Input	: 12V DC / MIL-grade connector
Power Consumption	: 35W typ.
Operating Temperature	: -10 deg.C to 55 deg.C
Operating Humidity	: 10% to 95% (non condensing)
Mounting	: VESA mount, Vehicle mount
Shock	: Operating:30g for 18ms, 300m/s ²
Vibration	: Operating: 1.60/1.96/2.18 g rms for XYZ / 5-500Hz

I/O Connectors

I/O Port	: Military Grade Lockable (MS27467T9F98S) Power Connector 1x RS232/422/485 1x USB 2.0, 1x USB 3.0 1x HDMI WLAN antenna SMA in top(Optional)
Back Panel	: 2 x RJ-45(10/100/100 Mbps)

Certifications

CE/FCC Class B
MIL810F/G / IEC60068-2-27 for Vibration /Shock

Product Optional Items

Mounting Bracket and Kits	One robust bracket with locking handle (Can adjust from -5deg. to 90deg.)
Operation System	Windows Embedded Standard 7 /
Storage	Windows Embedded 8.1 Industrial /Windows 10 IoT Enterprise mSATA SSD up to 256GB
Glass / Touch	3mm Anti-reflective Protection Glass
WLAN	Resistive Touch Screen IEEE802.11 b/g/n for optional
Wide Power Input Range	9V to 36V wide range acceptable for optional

In Font Control

Control Button	: Power On/ Off Reset Brightness Up Brightness Down
LED indicator	: Power On/ Off HDD Status

Display Specification

Size	: 10.4 TFT
Resolution	: 1024 x 768 pixels
Brightness	: 350 cd/m ³ (typ)
Contrast Ratio	: 1200 : 1 (typ)
Viewing Angle	: -88~88(H); -88~88(V)
Max. Colors	: 16.2M

Environmental(MIL-STD 461E/F Compliance)

RE	: RE 101 / RE 102
CE	: CE 101 / CE 102
Optional with EMI Glass / Touch	
CS	: RS101 / RS103
CS	: CS 101 / CS 106 / CS 109 / CS 114 CS 115 / CS 116