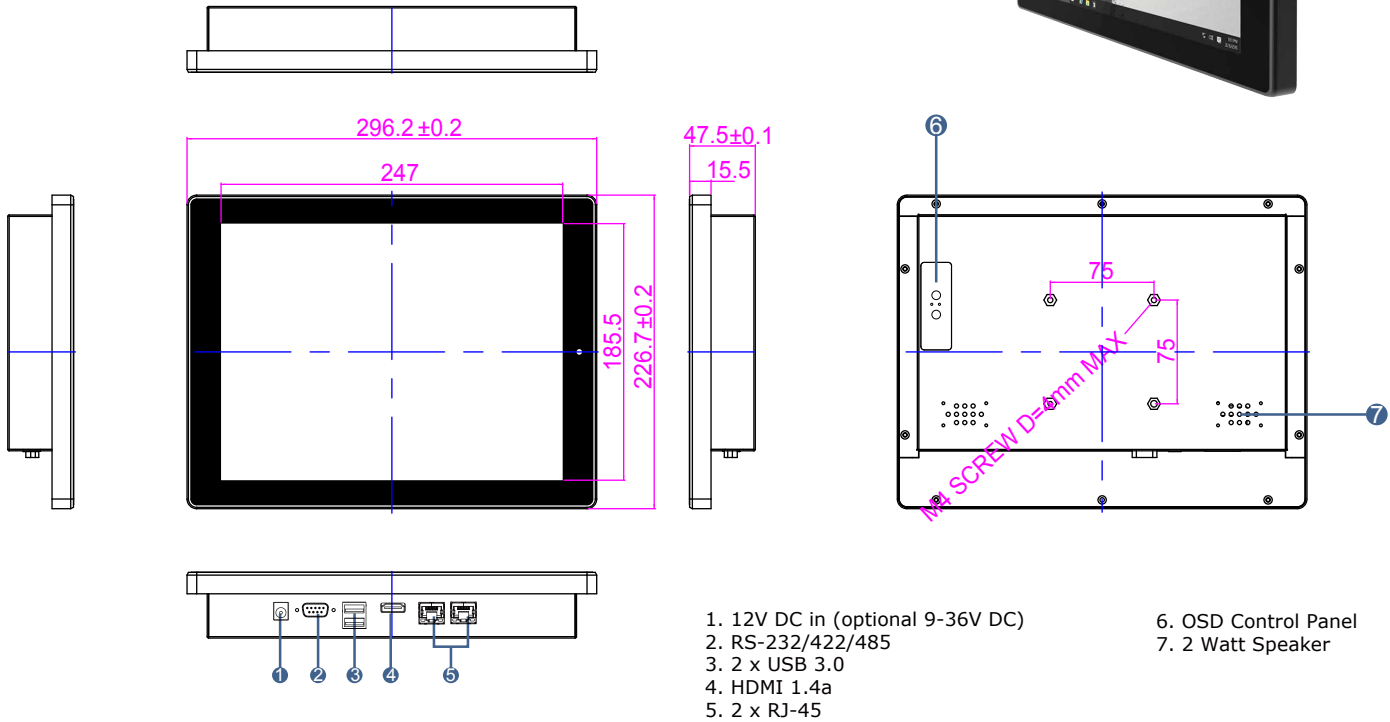


# 12.1" GC65 Panel PC (Standard I/O) -R12IK3S-GCM2(HB)

## Features

- 12.1" 1024 x 768 with P-CAP touchscreen
- High computing performance with 7<sup>th</sup> Generation(kaby Lake) Intel® Core i5-7200U processor
- Fanless cooling system and ultra-low power consumption
- Front IP65 for protection against water and dust
- A true flat, easy-to-clean front surface with edge-to-edge design
- Plenty of I/O, including 2 x LAN, 1 x COM, 2 x USB 3.0, 1 x HDMI



1. 12V DC in (optional 9-36V DC)
2. RS-232/422/485
3. 2 x USB 3.0
4. HDMI 1.4a
5. 2 x RJ-45

6. OSD Control Panel
7. 2 Watt Speaker

## Specifications

### System

- Processor : Intel® Core i5-7200U 2.5GHz (turbo to 3.1GHz)
- BIOS : Insyde BIOS
- System Chipset : Intel® SoC Integrated
- System Memory : 4GB DDR4-2133 SO-DIMM (Max 16GB)
- Storage : 64GB M.2 B Key SATA III (Options up to 256GB)
- LAN : Intel® Gigabit-LAN Controller I211AT + PHY I219LM
- Audio : Realtek ALC283 HD Audio Codec

### Input / Output

- Serial Ports : 1 x RS-232/422/485
- USB Ports : 2 x USB 3.0
- Ethernet : 2 x RJ 45-10/100/1000 Mbps
- Speaker : 2 Watt Speaker
- HDMI : 1 x HDMI 1.4a

### Environment

- Operating Temperature : -15 °C to 55 °C
- Operating Humidity : 10% to 95% (non-condensing)
- IP Rating : Front IP65
- Shock Operating : 40g for 11ms
- Vibration Operating : 1.48/1.98/2.24 g rms for XYZ/ 5-500Hz

### Display

- Size/Type : 12.1" TFT
- Resolution : 1024 x 768
- Brightness : 500 cd/m (typ.)
- Contrast Ratio : 700:1 (typ.)
- Viewing Angle : -80~80 (H); -70~70 (V)
- Max Colors : 16.2M
- Touchscreen : Projected Capacitive Multi-Touch

### Mechanical Specification

- Cooling System : Fanless design
- Mounting : VESA Mount (75x75mm), Panel Mount
- Dimensions (W x H xD) : 296.2 x 226.7 x 45.5 (mm)

### Operating System

- Windows 10 IoT Enterprise

### Power Considerations

- Power Input : 12V DC in (Optional 9-36V DC)

