

# Rugged Panel PC



## Model:R15IK3S-VMC3(HB)

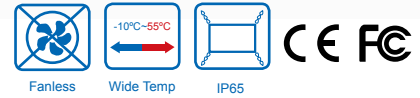
### Product Features:

- » 7<sup>th</sup> Generation (kaby Lake) Intel Core i5-7200U 2.5GHz (turbo to 3.1GHz)
- » High Quality 15" Panel, 1024\*768 resolution, 250 nits (Optional for 1000 nits)
- » Front IP65 Dust/ Water proof design with VESA mount
- » Aluminum Housing with Anti-Corrosion Treatments
- » Built-in ambient Light sensor
- » Wide Range 9 to 36V DC Input with isolation
- » Optional 6-60V DC Input, and Optional for Ignition On/Off delay
- » 5 Wire Resistive Touch / Anti-Reflective Protection Glass (Optional)
- » Optional GPS, WWAN/WLAN(Either one). GPIO/Canbus(Either one)

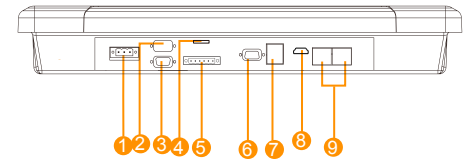


### Product Specifications:

Display	Model Name	R15IK3S-VMC3(HB)
	Size	15" LED Backlight
	Resolution (pixels)	1024 x 768
	Number of Colors	16.2 M (8 bit) / 262K (6 bit)
	Brightness (cd/m <sup>2</sup> )	250nits for R15IH3S-VMC3 Optional 1000nits for R15IH3S-VMC3HB (High Brightness)
	Contrast Ratio	700:1
	Viewing Angle	-80~80 (H) ; -70~70 (V)
System	Active Area	304.1 (H) x 228.1 (V)
	Touch (optional)	5 Wire Resistive(Default)
	Processor	Core i5-7200U 2.5GHz (turbo to 3.1GHz)
	BIOS	Insyde BIOS
	Memory	1x DDR4-2133MHz 4GB, option up to 16GB
	Ethernet	Intel® Ethernet Controller 1211-AT + Intel® Gigabit Ethernet PHY 1219-LM
	Storage	64GB M.2 B Key SATA III (Options up to 512GB)
Input / Output	Expansion Slot	1 x M.2 E Key
	2 x USB 3.0	
	1 x HDMI	
	1 x RS-232	
	1 x RS-232 (Optional)	
	1 x RS-232/422/485	
	1 x 9~36V Terminal Block (Phoenix type connector)	
Environment	1 x CanBus / GPIO (Optional)	
	1 x SIM Card Slot (Optional)	
	2 x LAN	
	Operating Temperature	-10 ~ 55°C
	Storage Temperature	-30 ~ 70°C
	Humidity	10 ~ 95% non-condensing
	Shock	MIL-STD-810F/G
Mechanical	Vibration	MIL-STD-810F/G
	Power Input	9~36V DC in with isolation Optional 6-60V DC in, with Ignition On/Off delay
	Safety	Compliance with MIL-STD-810F/G
Driver OS Support	Windows 10 IoT Enterprise	
Packing List	Dimension(W x H x D)	398 x 308 x 58mm
	Approximate Weight	4.9 kg*
Product Optional Items	*Weight of this device will be more or less depending upon actual component configuration	
	(IK32) SBC Manual & Driver CD	
	Mounting bracket	One robust bracket with locking handle (Can adjust from -5 deg. to 90 deg.)
	Sunlight Readable	Transflective film enhancement for optional
	Anti-reflective Glass	3 mm (Replace touch)
	WLAN / WWAN	Either one
	GPS	USB interface
Digital IO / Canbus	Either one	
Security Support	Trusted Platform Module (TPM 2.0)	

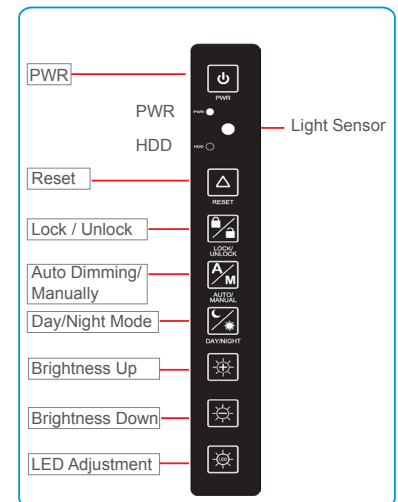


### I / O View:



1. 9~36V Terminal Block
2. RS-232 (Optional)
3. RS-232
4. SIM Card Slot (Optional)
5. CanBus / GPIO (Optional)
6. RS232/422/485
7. 2xUSB 3.0
8. HDMI
9. 2xRJ45

### Front OSD Control Function:



### Drawing w / Mounting bracket:

