

IP67 G-Win Panel PC

(Intel® Kaby Lake Platform)

Flat Touch Panel Mount Panel PC

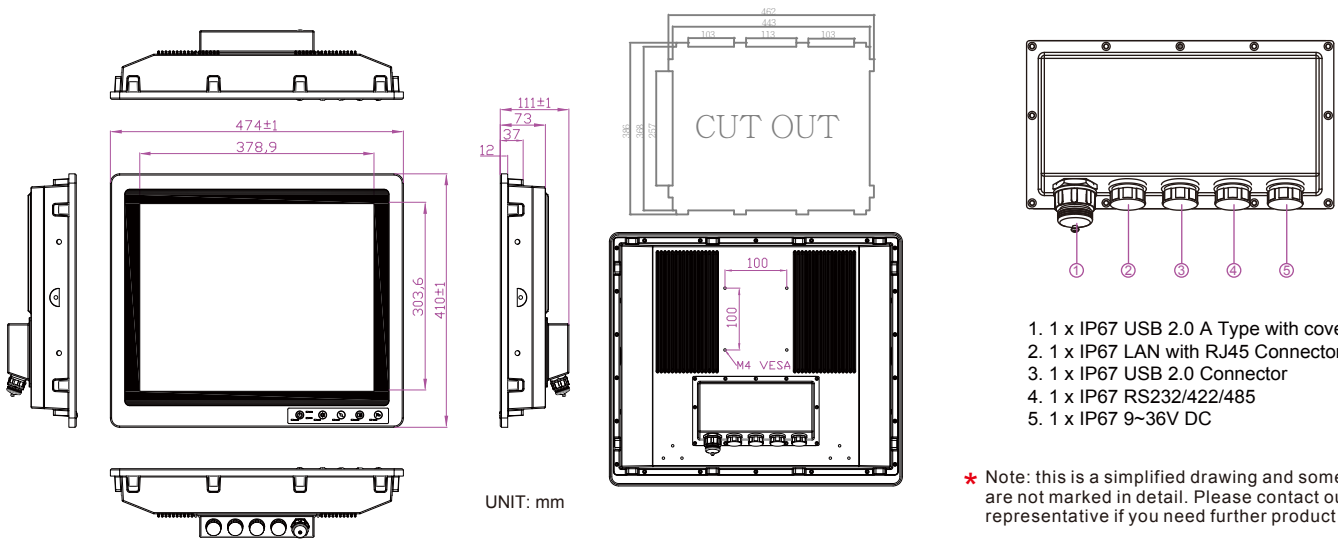
MODEL : R19IK3S-67FTP(HB)

Mechanical Design



Features

- Totally sealed Full IP67 Design
- High performance / low power 7th Generation (kaby Lake) Intel® Core i5-7200U 2.5GHz (turbo to 3.1GHz)
- 19-inch sunlight viewable 400 nits LCD panel (Optional for 1000 nits High Brightness)
- -10 to 60°C operating temperature
- Fanless, streamlined enclosure for highly efficient heat dissipation
- Touch screen control button to enable/disable touch screen interface
- Rugged Front Anti-Impact Design
- Front controll membrane keys Lockable by software
- Optical Bonding with Panel & Touch Screen to increase the clarity and transperence



1. 1 x IP67 USB 2.0 A Type with cover
2. 1 x IP67 LAN with RJ45 Connector
3. 1 x IP67 USB 2.0 Connector
4. 1 x IP67 RS232/422/485
5. 1 x IP67 9~36V DC

* Note: this is a simplified drawing and some components are not marked in detail. Please contact our sales representative if you need further product information.

System Specifications

TFT Characteristics

- Resolutions : 1280 x 1024
- Brightness : 400nits (optional 1000nit High Brightness)
- Viewing Angles : -85~85(H); -80~80(V)
- Max Colors : 16.7M
- Contrast Ratio : 1000 : 1 (typ.)
- Touch Screen : Projected Capacitive Touch

Mechanical Specification

- Cooling System : Fanless design
- Dimension(W x H x D) : 474mm x 410mm x 143.5mm
- Gross Weight : 14.25 kg
- Net Weight : 10.28 kg

Power Specifications

- Power Input : 9~36V DC input (isolation)

System Specifications

- Processor : Intel® Core i5-7200U Kaby Lake 2.5GHz (turbo to 3.1GHz)
- BIOS : Insyde BIOS
- System Chipset : Intel® SoC Integrated
- Memory Slot : DDR4-2133 SO-DIMM (Max 16GB)
- Main Storage : 64GB M.2 B Key SATA III SSD (Options up to 256GB)
- Optional Second Storage : 2.5" SSD 64GB to 512GB

Environment Considerations

- Operating Temperature : -10 deg.C to 60 deg.C
- Operating Humidity : 5 to 95%

Full IP67 Connectors

- 1 x IP67 USB 2.0 A Type with cover
- 1 x IP67 LAN with RJ45 Connector
- 1 x IP67 USB 2.0 Connector
- 1 x IP67 RS232/422/485
- 1 x IP67 9~36V DC

Standards and Certifications

- CE
- FCC
- Shock : Compliant with MIL-STD-810G Method 516.6
- Vibration : Compliant with MIL-STD-810G Method 514.6

Operating System (Optional)

- Windows 10 IoT Enterprise

Accessories

- 1 x Driver & Manual CD
- 5 x IP67 External Cables (USB / LAN / COM / Power/USB A-type)

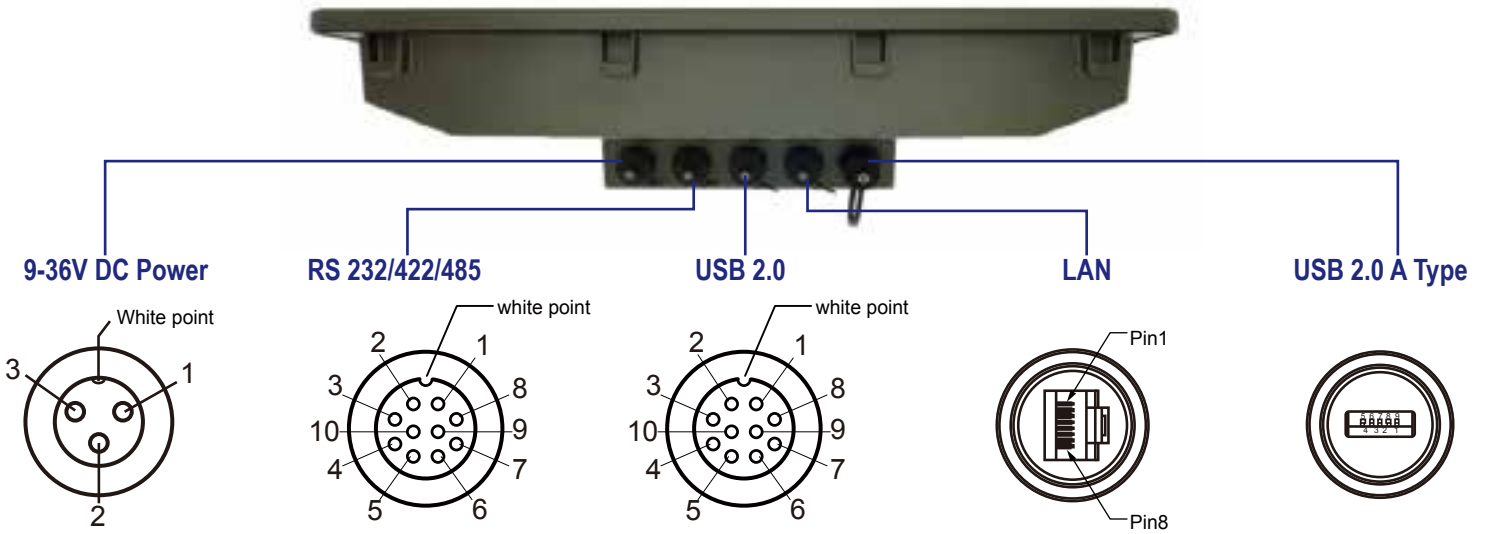
IP67 G-Win Panel PC

(Intel® Kaby Lake Platform)

Flat Touch Panel Mount Panel PC

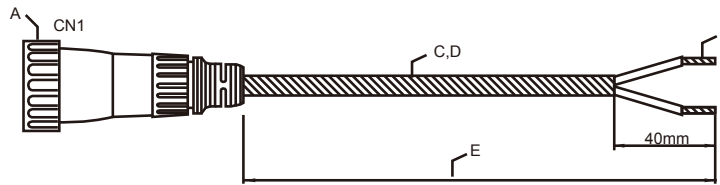
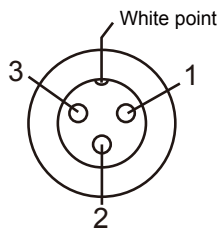
MODEL : R19IK3S-67FTP(HB)

IO Layout



Pin Definition

1. 9-36V DC Power (Standard Cable)

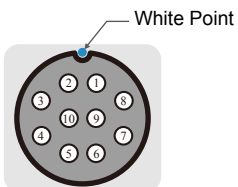
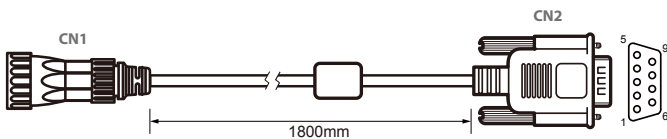


Plug	Wire Color	Conn.
CN-1	VCC	Red
CN-3	GND	Black
CN-2	Shield	

Short

Plug	Wire Color	Conn.
Open	VCC	Red
Open	GND	Black
	Shield	

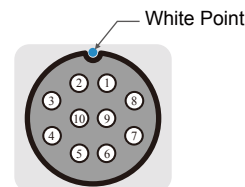
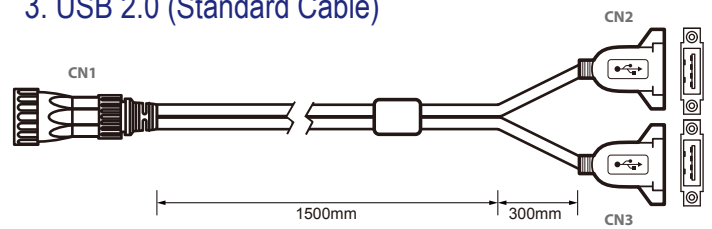
2. RS 232/422/485 (Standard Cable)



Pin No.	Symbols	Color
CN1-1	DCD-CON2	Green
CN1-2	DSR-CON2	Brown
CN1-3	RXD-CON2	Red
CN1-4	RTS-CON2	Orange
CN1-5	TXD-CON2	Blue
CN1-6	CTS-CON2	White
CN1-7	DTR-CON2	Purple
CN1-8	RI-CON2	Yellow
CN1-9	GND-CON2	Black
CN1-10	NC	

Pin No.	Symbols	Color
CN2-1	DCD-CON2	Green
CN2-6	DSR-CON2	Brown
CN2-2	RXD-CON2	Red
CN2-7	RTS-CON2	Orange
CN2-3	TXD-CON2	Blue
CN2-8	CTS-CON2	White
CN2-4	DTR-CON2	Purple
CN2-9	RI-CON2	Yellow
CN2-5	GND-CON2	Black
CN2-10	NC	

3. USB 2.0 (Standard Cable)

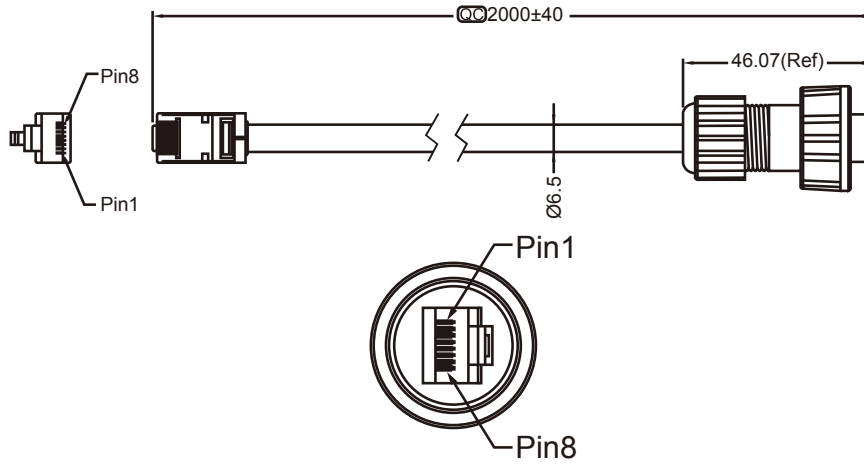


Pin No.	Symbols	Color
CN1-1	VCC	RED
CN1-2	VCC	RED
CN1-3	D-	WHITE
CN1-4	D-	WHITE
CN1-5	D+	GREEN
CN1-6	D+	GREEN
CN1-7	GND	BLACK
CN1-8	GND	BLACK
CN1-9	Braid	

Pin No.	Symbols	Color
CN2-1	VCC	RED
CN3-1	VCC	RED
CN2-2	D-	WHITE
CN3-2	D-	WHITE
CN2-3	D+	GREEN
CN3-3	D+	GREEN
CN2-4	GND	BLACK
CN3-4	GND	BLACK
Braid connect to the housing		

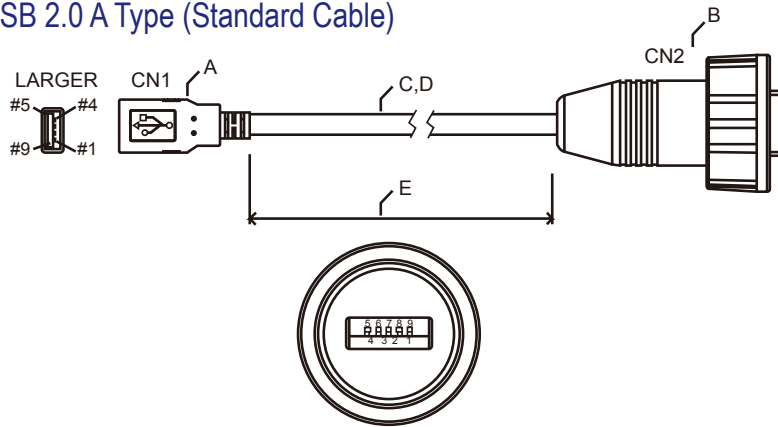
Pin Definition

4. LAN (Standard Cable)



Plug	Wire Color	Conn.	
1	Orange / White	1	Twist
2	Orange	2	
3	Green / White	3	Twist
4	Blue	4	
5	Blue / White	5	Twist
6	Green	6	
7	Brown / White	7	Twist
8	Brown	8	

5. USB 2.0 A Type (Standard Cable)



Plug	Wire Color	Conn.	
Red	28AWG	1	Twist
White	28AWG	2	
Green	28AWG	3	Twist
Black	28AWG	4	
Drain	28AWG		Twist
Blue	28AWG	5	
Yellow	28AWG	6	Twist
Drain	28AWG	7	
Purple	28AWG	8	
Orange	28AWG	9	