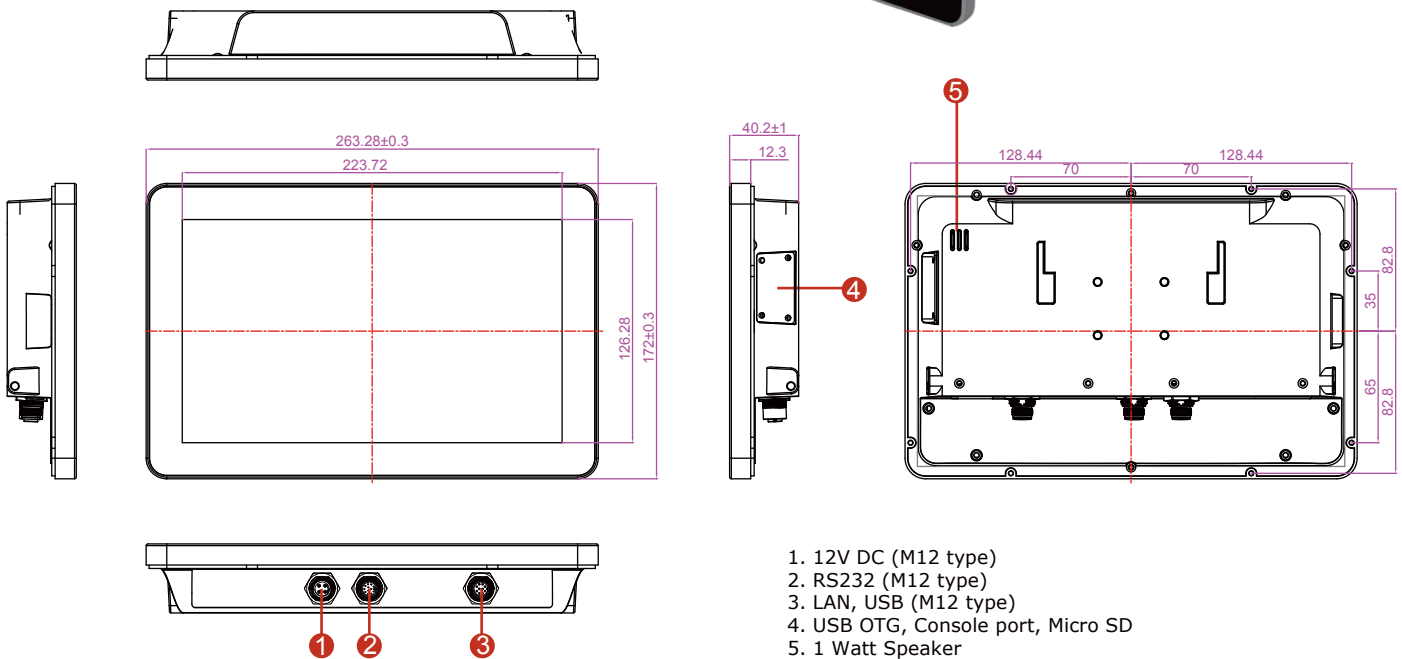


10.1" GS65 Panel PC

W10FA3S-GSH1(HB)

Features

- 10.1" 1024 x 600 Resolution with Projected Capacitive Multi-Touch (P-CAP)
- Freescale Cortex A9 i.MX6 Dual Core 1GHz (Optional Quad Core)
- Fanless cooling system and Ultra-low power consumption
- Onboard LPDDR3 1GB
- Onboard 16GB eMMC Flash
- Full IP65
- 1 x LAN, 1 x RS232, 1 x USB, 1 x USB OTG, 1 x Console, 1 x Micro SD



1. 12V DC (M12 type)
2. RS232 (M12 type)
3. LAN, USB (M12 type)
4. USB OTG, Console port, Micro SD
5. 1 Watt Speaker

Specifications

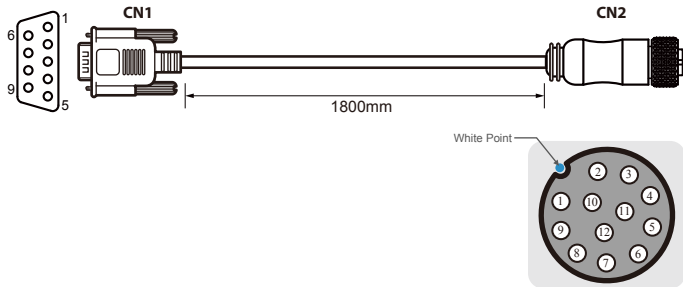
System		Display	
• Processor	: Freescale Cortex A9 i.MX6 Dual Core 1GHz (Optional Quad Core)	• Size/Type	: 10.1" TFT (Widescreen)
• Memory	: 1GB LPDDR3 (Optional 2GB)	• Resolution	: 1024 x 600
• Storage	: Onboard 16GB eMMC Flash	• Brightness	: 420 cd/m2 (typ.) optional for High Brightness 800 cd/m2 (typ.)
Input / Output		• Contrast Ratio	: 800:1 (typ.)
• COM port	: 1 x RS232 (M12 type)(Optional 422/485)	• Viewing Angle	: -75~80(H) ; -80~80(V)
• USB Ports	: 1 x USB 2.0 (M12 type), 1 x USB OTG (On side)	• Max Colors	: 16.7M
• Ethernet	: 1 x 10/100/1000 LAN (M12 type)	• Touch	: Projective-Capacitive Touch with optional protection glass
• Speaker	: 1 x 1 Watt Speaker	Power Considerations	
• Console	: 1 x Console port (Linux Use) (On Side)	• Power Input	: 12V DC (M12 type)
• SD Slot	: 1 x Micro SD Card Slot	• Power Consumption	: 15W
OS/BSP Driver Support		Environment Considerations	
• Operation System	: Android 6.0 (Default) Linux Kernel 4.1.15, QT 5.5 Browser (Optional) Ubuntu 16.04 (Optional)	• Operating Temperature	: -15 deg. C to 55 deg. C
Mechanical Specifications		• Operating Humidity	: 10% to 95% (non-condensing)
• Cooling System	: Fanless design	• IP Rating	: Full IP65
• Mounting	: VESA Mount (75x75mm), Panel Mount	• Shock Operating	: 40g for 11ms
• Dimensions(W x H xD)	: 263.28 x 173.6 x 40.2 (mm)	• Vibration Operating	: 1.48/1.98/2.24 g rms for XYZ/ 5-500Hz
		Certifications & Standards	
		• Compliant with MIL-STD-810F/G for vibration / shock, CE, FCC	

10.1" GS65 Panel PC

W10FA3S-GSH1(HB)

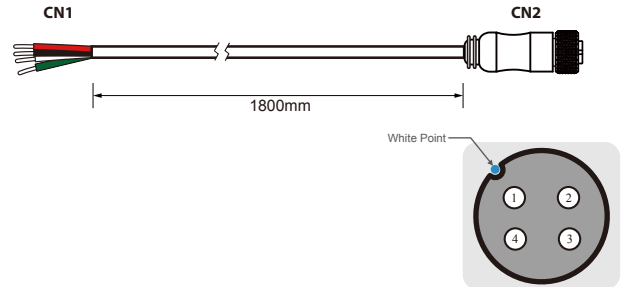
Pin Assignment of cables

RS-232 to M12 Cable



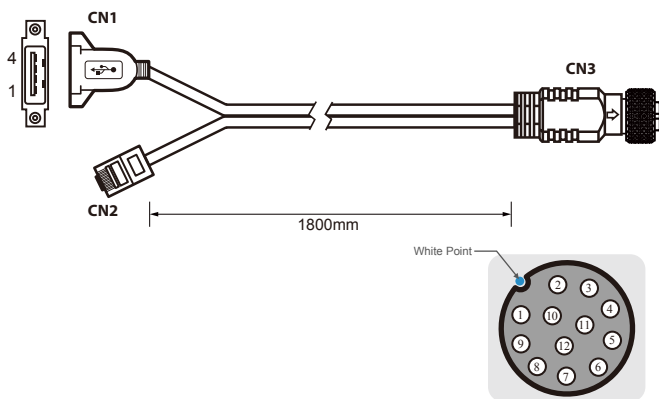
Pin No.	Symbols	Color		Pin No.	Symbols	Color
CN1-1	DCD	Green	↔	CN2-1	DCD	Green
CN1-6	DSR	Brown	↔	CN2-2	DSR	Brown
CN1-2	RXD	Red	↔	CN2-3	RXD	Red
CN1-7	RTS	Orange	↔	CN2-4	RTS	Orange
CN1-3	TXD	Blue	↔	CN2-5	TXD	Blue
CN1-8	CTS	White	↔	CN2-6	CTS	White
CN1-4	DTR	Purple	↔	CN2-7	DTR	Purple
CN1-9	RI	Yellow	↔	CN2-8	RI	Yellow
CN1-5	GND	Black	↔	CN2-9	GND	Black

DC Power to M12 Cable



Pin No.	Symbols	Color		Pin No.	Symbols	Color
CN1-1	VIN+	Red	↔	CN2-1	VIN+	Red
CN1-2	VIN-	Black	↔	CN2-2	VIN-	Black
CN1-3	VIN-	White	↔	CN2-3	VIN-	White
CN1-4	IGN_IN	Green	↔	CN2-4	NC	Green

USB 2.0 & GIGA LAN to M12 Cable



Pin No.	Symbols	Color		Pin No.	Symbols	Color
CN3-1	VCC	RED	↔	CN1-1	VCC	RED
CN3-2	D-	WHITE	↔	CN1-2	D-	WHITE
CN3-3	D+	GREEN	↔	CN1-3	D+	GREEN
CN3-4	GND	BLACK	↔	CN1-4	GND	BLACK
CN3-5	White/Orange		↔	CN2-1	White/Orange	
CN3-6	Orange		↔	CN2-2	Orange	
CN3-7	White/Green		↔	CN2-3	White/Green	
CN3-8	Blue		↔	CN2-4	Blue	
CN3-9	White/Blue		↔	CN2-5	White/Blue	
CN3-10	Green		↔	CN2-6	Green	
CN3-11	White/Brown		↔	CN2-7	White/Brown	
CN3-12	Brown		↔	CN2-8	Brown	

Twisted pairs