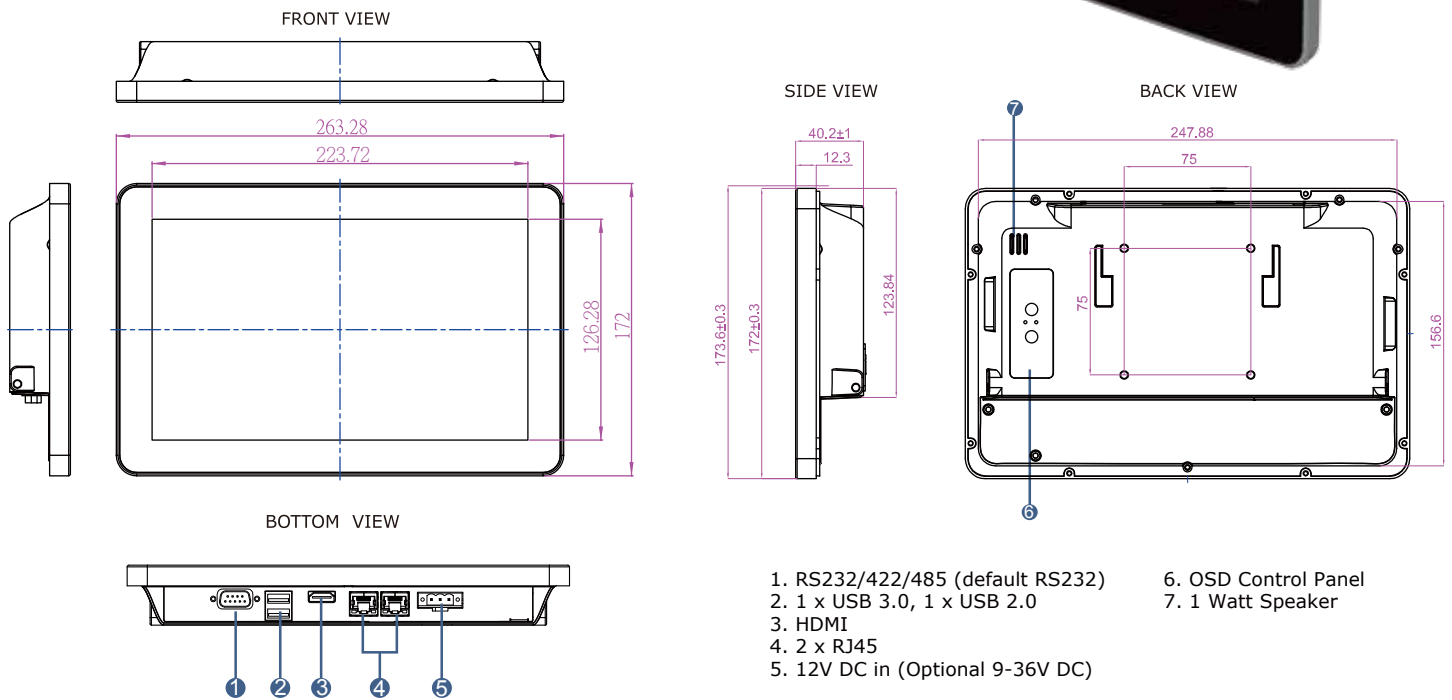


10.1" GC65 Panel PC (Standard I/O) -W10IB3S-GCH1(HB)

Features

- 10.1" 1024 x 600 with P-CAP touchscreen
- Low power consumption with Intel® Celeron® N2930
- Fanless Cooling system and ultra low power consumption
- Front IP65 for protection against water and dust
- A true flat, easy-to-clean front surface with edge-to-edge design
- Plenty of I/O, including 2 x LAN, 1 x COM, 1 x USB 3.0, 1 x USB 2.0, 1 x HDMI



Specifications

System

- Processor : Intel® Celeron® Bay Trail-M N2930 1.83GHz
- System Memory : 2GB DDR3L-1600 SODIMM max 8GB
- Storage : mSATA 64GB SSD

Input / Output

- Serial Ports : 1 x RS-232/422/485
- USB Ports : 1 x USB 3.0, 1 x USB 2.0
- Ethernet : 2 x RJ 45-10/100/1000 Mbps
- Speaker : 1 x speaker
- HDMI : 1 x HDMI 1.4a

Environment

- Operating Temperature : -15 °C to 55 °C
- Operating Humidity : 10% to 95% (non-condensing)
- IP Rating : Front IP65
- Shock Operating : 40g for 11ms
- Vibration Operating : 1.48/1.98/2.24 g rms for XYZ/ 5-500Hz

Power Considerations

- Power Input : 12V DC in (Optional 9-36V DC)

Display

- Size/Type : 10.1" TFT (widescreen)
- Resolution : 1024 x 600
- Brightness : 420 cd/m2 (typ.) optional for High Brightness 800 cd/m2 (typ.)
- Contrast Ratio : 800:1 (typ.)
- Viewing Angle : -75~80 (H); -80~80 (V)
- Max Colors : 16.7M

Mechanical Specification

- Cooling System : Fanless design
- Mounting : VESA Mount (75x75mm), Panel Mount
- Dimensions (W x H x D) : 263.28 x 172 x 40.2 (mm)

Operating System

- Windows 10 IoT Enterprise
- Windows Embedded 8.1 Industry Pro
- Windows Embedded Standard 7