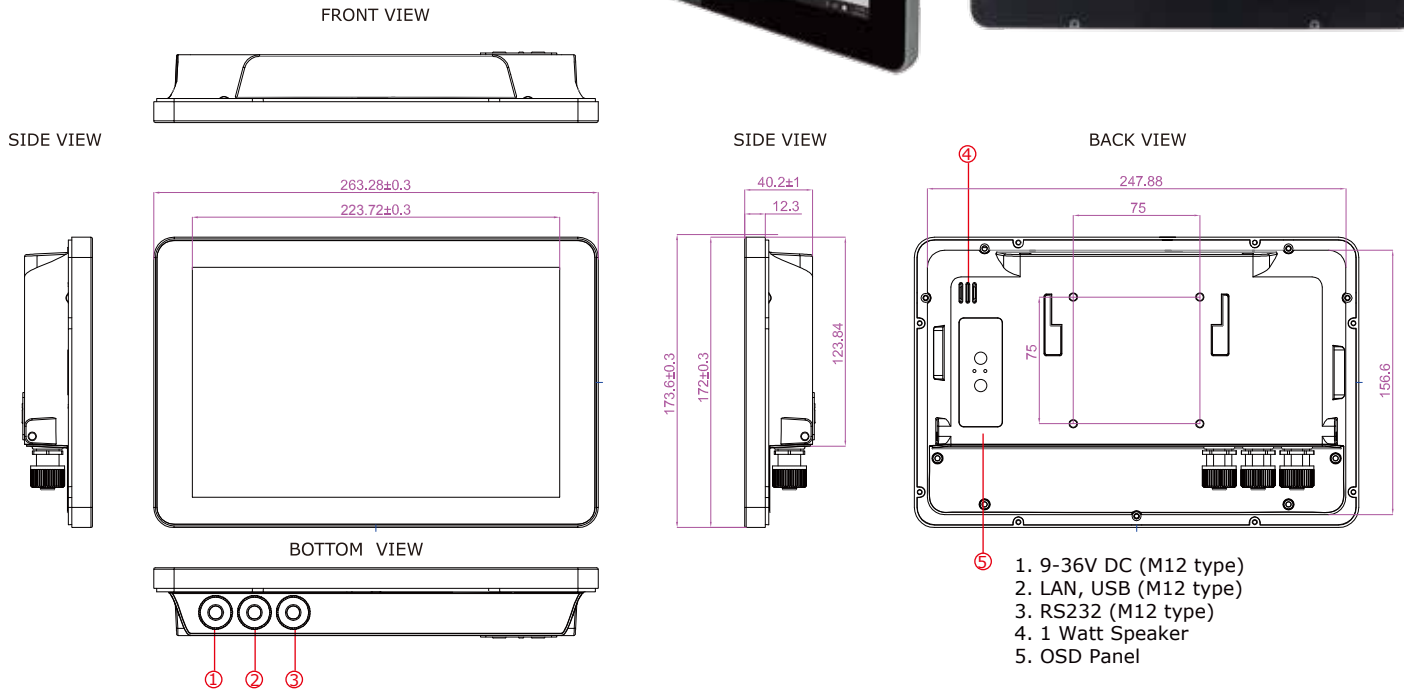


# 10.1" GS65 Panel PC

# W10IB3S-GSH1(HB)

## Features

- 10.1" 1024 x 600 Resolution with Projected Capacitive Multi-Touch (P-CAP)
- Intel® Celeron® Bay Trail-M N2930 1.83 GHz
- Fanless cooling system and ultra-low power consumption
- Edge-to-edge design
- Full IP65 design with Special M12 Waterproof connectors
- 1 x LAN, 1 x RS232, 1 x USB 2.0



## Specifications

### System

- Processor : Intel® Celeron® Bay Trail-M N2930 1.83GHz
- System Chipset : Intel® ATOM SoC Integrated
- System Memory : 2GB DDR3L 1600 SODIMM (max. 8GB)
- Storage : 64GB mSATA SSD

### Input / Output

- COM Port : 1 x RS232 (M12 type)(Optional 422/485)
- USB Port : 1 x USB 2.0 (M12 type)
- Ethernet : 1 x 10/100/1000 LAN (M12 type)
- Speaker : 1 x 1 Watt Speaker

### Display Spec

- Size/Type : 10.1" TFT (Wide screen)
- Resolutions : 1024 x 600
- Brightness : 420 cd/m2 (typ.) optional for High Brightness 800 cd/m2 (typ.)
- Contrast Ratio : 800 : 1 (typ.)
- Viewing Angle : -75~80(H);-80~80(V)
- Max Colors : 16.7M
- Touch : Projective-Capacitive Touch

### Power Specifications

- Power Input : 9-36V DC (M12 type)
- Power Consumption : 20W

### Software Support

- Watchdog SDK

### Mechanical Specification

- Cooling System : Fanless design
- Mounting : VESA Mount(75x75mm), Panel Mount
- Dimension (W x H x D) : 263.28 x 172 x 40.2 (mm)

### Environment Considerations

- Operating Temperature : -15 deg. C to 55 deg. C
- Operating Humidity : 10% to 95% (non-condensing)
- IP Rating : Full IP65
- Shock Operating : 40g for 11ms
- Vibration Operating : 1.48/1.98/2.24 g rms for XYZ/ 5-500Hz

### Operating System

- Operating System : Windows 10 IoT Enterprise  
Windows Embedded 8.1 Industry Pro  
Windows Embedded Standard 7

### Security Support

- Trusted Platform Module (TPM 1.2)

### Certifications & Standards

- Compliant with MIL-STD-810F/G for vibration / shock, CE, FCC

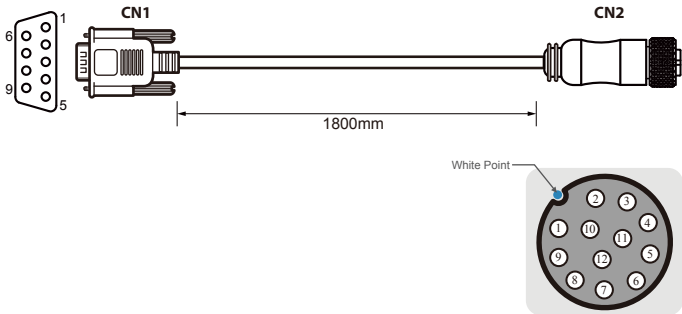


# 10.1" GS65 Panel PC

# W10IB3S-GSH1(HB)

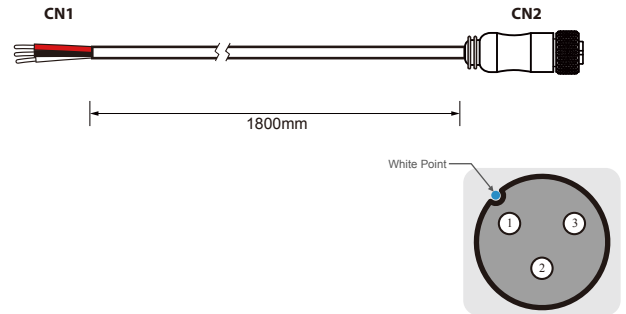
## Pin Assignment of cables

### RS-232 to M12 Cable



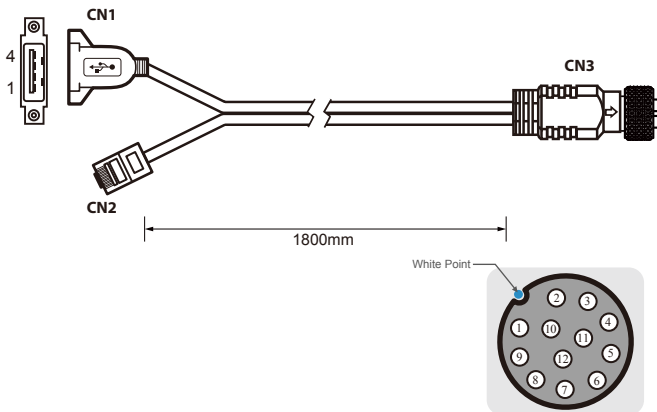
Pin No.	Symbols	Color		Pin No.	Symbols	Color
CN1-1	DCD	Green	↔	CN2-1	DCD	Green
CN1-6	DSR	Brown	↔	CN2-2	DSR	Brown
CN1-2	RXD	Red	↔	CN2-3	RXD	Red
CN1-7	RTS	Orange	↔	CN2-4	RTS	Orange
CN1-3	TXD	Blue	↔	CN2-5	TXD	Blue
CN1-8	CTS	White	↔	CN2-6	CTS	White
CN1-4	DTR	Purple	↔	CN2-7	DTR	Purple
CN1-9	RI	Yellow	↔	CN2-8	RI	Yellow
CN1-5	GND	Black	↔	CN2-9	GND	Black

### DC Power to M12 Cable



Pin No.	Symbols	Color		Pin No.	Symbols	Color
CN1-1	VCC+	Red	↔	CN2-1	VCC+	Red
CN1-2	GND	Black	↔	CN2-2	GND	Black
CN1-3	VCC-	White	↔	CN2-3	VCC-	White

### USB 2.0 & GIGA LAN to M12 Cable



Pin No.	Symbols	Color		Pin No.	Symbols	Color
CN3-1	VCC	RED	↔	CN1-1	VCC	RED
CN3-2	D-	WHITE	↔	CN1-2	D-	WHITE
CN3-3	D+	GREEN	↔	CN1-3	D+	GREEN
CN3-4	GND	BLACK	↔	CN1-4	GND	BLACK
CN3-5	White/Orange		↔	CN2-1	White/Orange	
CN3-6	Orange		↔	CN2-2	Orange	
CN3-7	White/Green		↔	CN2-3	White/Green	
CN3-8	Blue		↔	CN2-4	Blue	
CN3-9	White/Blue		↔	CN2-5	White/Blue	
CN3-10	Green		↔	CN2-6	Green	
CN3-11	White/Brown		↔	CN2-7	White/Brown	
CN3-12	Brown		↔	CN2-8	Brown	

Twisted pairs