

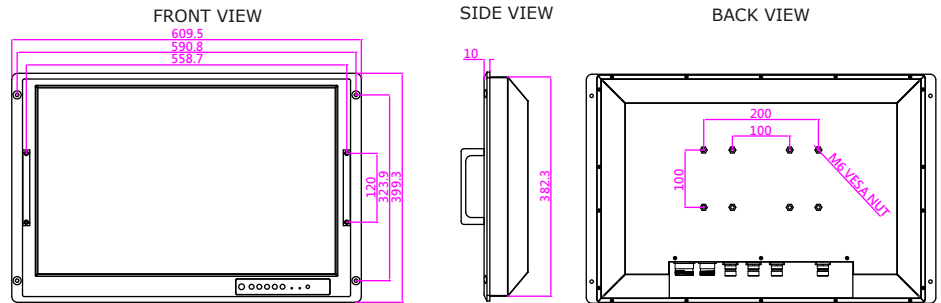
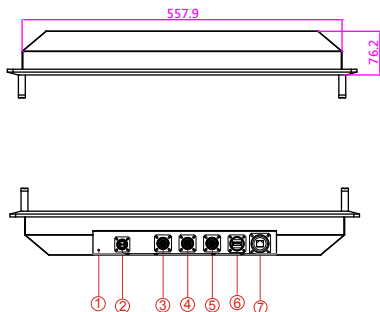
Military Grade 24" Rack Mount Panel PC (Intel® Core i7 Platform)

MODEL #: W24IH3S-MLS1-89

Mechanical Design



- 24" 1920x1200 High Resolution TFT-LCD
- Intel® Core i7 4650U 3.30GHz Processor
- Anti-Corrosion Housing / Fanless
- Compliant with MIL-STD-810F/G
- Flush Rack / Rack Mount Mechanical Design (9U)
- Convenient On-Screen Display Controls
- AC 110~240V Power input default / Isolation DC 9~36V Power input (Optional)
- Built-in Light Sensor for auto brightness control
- Military Grade Power Connector (MIL-DTL-38999/1 & 38999/3)



1. Ground
2. AC Power in (MIL-DTL-38999/1)
3. VGA (MIL-DTL-38999/3)
4. RS-232 (MIL-DTL-38999/3)
5. RS-232 (Optional)
6. USB 2.0 A Type (MIL-DTL-38999/3)
7. LAN (MIL-DTL-38999/3)

Measurements shown in mm.

- * Tolerance of all dimensions is shown as follow 0~30 mm ± 0.1 mm, 30~50 mm ± 0.15 mm, 50~120 mm ± 0.2 mm, above 120 mm ± 0.25 mm.
- * Note: this is a simplified drawing and some components are not marked in detail. Please contact our sales representative if you need further product information.

Display Specification

Characteristics :

- Resolutions : 1920 x 1200
- Brightness : 300 cd/m² (typ.)
- Contrast Ratio : 1000 : 1 (typ.)
- Viewing Angles : -89~89(H); -89~89(V)
- Max Colors : 16.7M (Colors)

Environmental (MIL-STD 810F/G Compliance)

- Vibration : MIL-STD-810F/G Method 514.5
- Humidity : MIL-STD-810F/G Method 507.4
- Transit Drop : MIL-STD-810F/G Method 516.5
- High Temperature : Storage: MIL-STD-810F/G Method 501.4
Operation: MIL-STD-810F/G Method 501.4
- Low Temperature : Storage: MIL-STD-810F/G Method 502.4
Operation: MIL-STD-810F/G Method 502.4

System Specifications :

- Processor : Intel® Core i7 4650U 3.30GHz
- BIOS : AMI 16Mbit Flash
- Processor Graphics : Intel® HD Graphics 5000
- System Memory : 1 x SO-DIMM DDR3L 1600, Default 4GB
- Lan Controller : Intel® Ethernet Controller 1211-AT + Intel® Gigabit Etherne PHY 1218-LM
- Storage : mSATA SSD, Default 64GB
- Expansion Slot : 1 x Mini PCIe slot (for USB module)

* A customized housing is needed if you would like to have the PCI expansion.

Environmental (MIL-STD 461E/F Compliance)

- RE : RE101 / RE102
- CE : CE 101 / CE102
- Optional with EMI Glass / Touch
- CS : RS101 / RS103
- CS : CS 101 / CS 106 / CS 109 / CS 114 / CS 115 / CS 116

* If you require external test report, Winmate will charge NRE fee.

Power Specifications :

- Power Input : Default AC 110~240V in
Optional isolation DC 9~36V in

Order Information (Optional):

- Touch : 5 Wires Resistive / 5 Wire Resistive with EMI Coating
- Glass : EMI Coating Glass (Default AR Glass)
- OS : Windows Embedded Standard 7
Windows Embedded 8 Standard
Windows Embedded 8.1 Industry
Windows 10 IoT Enterprise
- Storage : mSATA SSD up to 256GB
- RAM : SO-DIMM DDR3 1666, max up to 8GB
- Power : Optional isolation 9~36V DC in

I/O Connectors :

- Plug & Play : VESA DDC 1/2B
- Back Panel I/O Port : 1 x Power Input (MIL-DTL-38999/1)
1 x VGA (MIL-DTL-38999/3)
1 x RS232 (MIL-DTL-38999/3)
1 x USB A 2.0 Type (MIL-DTL-38999/3)
1 x LAN (MIL-DTL-38999/3)

Default Accessories

- 1 x MIL-DTL-38999/1 Power cord / Cable
- 1 x MIL-DTL-38999/3 VGA Cable
- 1 x MIL-DTL-38999/3 RS232 Cable
- 1 x Driver & Manual CD



Note: All Specifications are subject to change without prior notice!

Revised Date: 12-Jan-2018 V1.9