

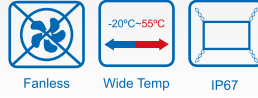
Rugged Display



Model:R15L100-67C3HB

Product Features:

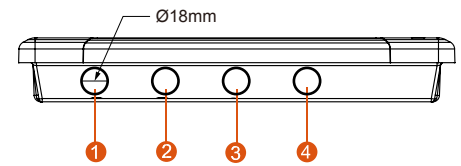
- High Quality 15" XGA Panel, 1024 x 768 resolution, 1000 nits
- Full IP67 Dust/Water-proof Protection
- Aluminum Housing with Anti-Corrosion Treatments
- Built-in ambient Light sensor
- Optical Bonding with Anti Moisture Treatments
- Anti-Shock and Vibration Standard according to IEC60068-2-27
- 5 Wire Resistive Touchscreen / Anti-Reflective Protection Glass
- 9V ~ 36V DC Isolation Wide Range Power Input
- Compliance With EN50155



Product Specifications:

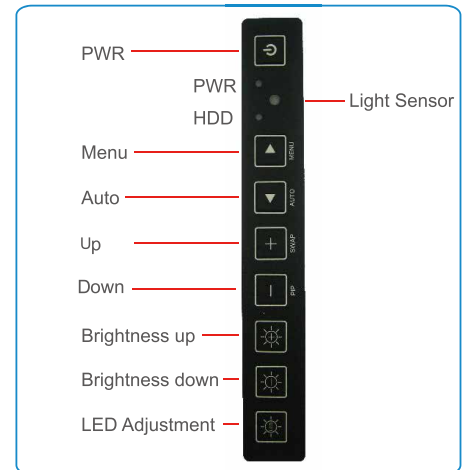
Display	Model Name	R15L100-67C3HB
	Size	15"
	Resolution (pixels)	1024 x 768
	Number of Colors	16.2M (8 bit)
	Brightness (cd/m ²)	1000
	Contrast Ratio	700:1
	Viewing Angle	-88~88(H) ; -88~88(V)
	Active Area	304.1 (H) x 228.1 (V)
Input / Output	Touch (optional)	5 Wire Resistive
	1 x VGA(IP67), 1 x DVI(IP67) for optional	
	1 x Power (IP67)	
	1 x Video (IP67) for optional	
Environment	1 x RS232 or USB for touch (optional)	
	Power Input	DC 9 ~36V w/ lockable connector
	Power Consumption	35W typ.
	Operation Temperature	-20 deg.C to 55 deg.C
	Operation Humidity	10% to 95% (non condensing)
	Shock*	Operating:40g for 11ms
	Vibration*	Operating: 1.62/2.02/2.20g rms for XYZ / 5-500Hz
Certifications	CE, FCC ClassB, MIL810Ffor Vibration /Shock	
Mechanical	Dimensions (W x L x H)	398 mm x 308 mm x 58mm
	Mounting Bracket	One robust bracket with locking handle (Can adjust from -5 deg. to 90 deg.)

I / O View:

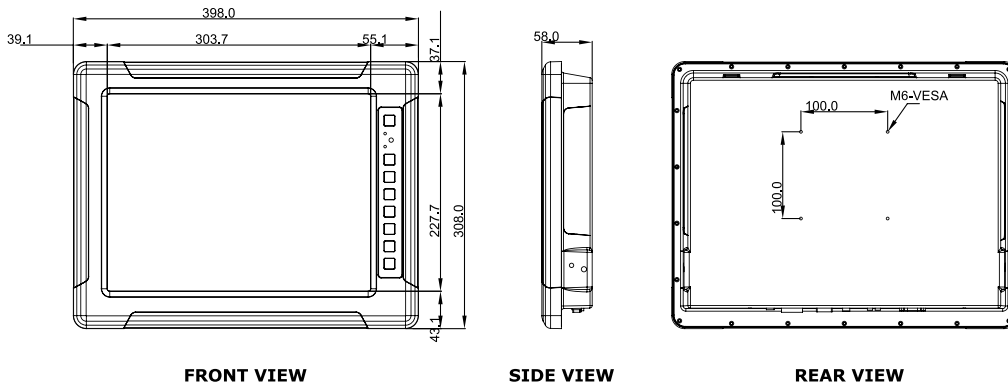


1. Power (M21, 3 Pin)
2. VGA (M21, 10 Pin)
DVI (M21, 15 Pin) for optional
3. Video (M21, 10 Pin) for optional
4. RS232 or USB (M21, 10 Pin)

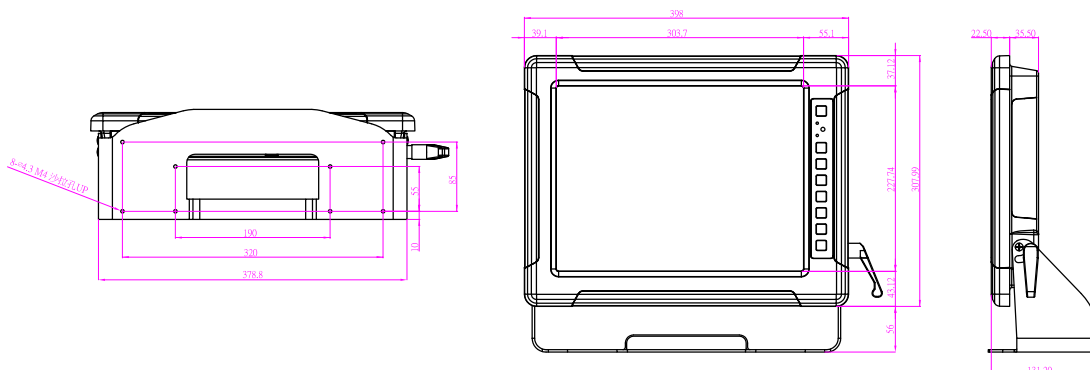
Front OSD Control Function:



Drawing:



Drawing w / Mounting Bracket (Optional)



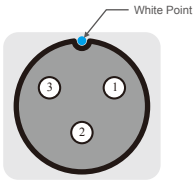
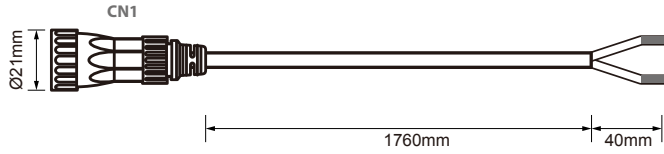
Rugged Display



Model:R15L100-67C3HB

Pin Assignment of cables

Power Cable

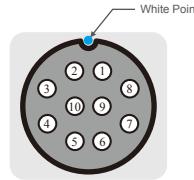
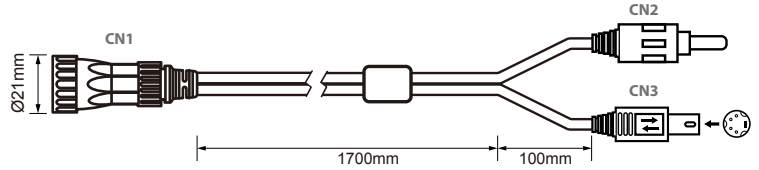


Pin No.	Symbols	Color
CN1-1	VCC	Red
CN1-3	GND	Black
CN1-2	Shield	

Pin No.	Symbols	Color
Open	VCC	Red
Open	GND	Black
	Shield	

Short

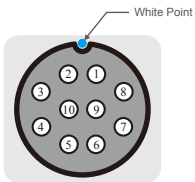
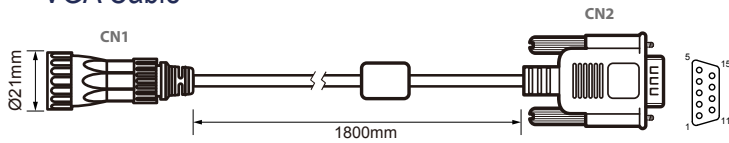
Video Cable



Pin No.	Symbols	Color
CN1-1	CVBS	Green
CN1-2	GND	Braid
CN1-3	GND	Black
CN1-4	Y	Blue
CN1-5	C	White
CN1-6	GND	Black

Pin No.	Symbols	Color
CN2-1	CVBS	Green
CN2-2	GND	Braid
CN3		
CN3-1	GND	Black
CN3-2	Y	Blue
CN3-3	C	White
CN3-4	GND	Black

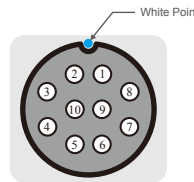
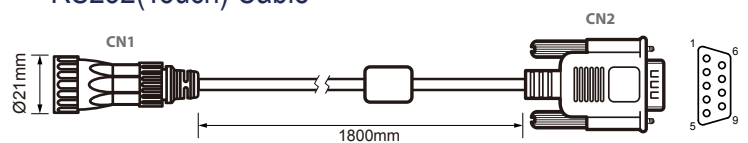
VGA Cable



Pin No.	Symbols	Color Pin
1	R	Red
2	R-GND	Black
3	G	Green
4	G-GND	Black
5	B	Blue
6	B-GND	Black
7	SDA	Yellow
8	HS	Orange
9	VS	White
10	SCL	Brown

No.	Symbols	Color
1	R	Red
6	R-GND	Black
2	G	Green
7	G-GND	Black
3	B	Blue
8	B-GND	Black
12	SDA	Yellow
13	HS	Orange
14	VS	White
15	SCL	Brown
4	HS-GND	
5	NC	
9	NC	
10	NC	
11	VS-GND	

RS232(Touch) Cable



Pin No.	Symbols	Color	Pin No.	Symbols	Color
CN1-1	DCD-CON2	Green	CN2-1	DCD-CON2	Green
CN1-2	DSR-CON2	Brown	CN2-6	DSR-CON2	Brown
CN1-3	RXD-CON2	Red	CN2-2	RXD-CON2	Red
CN1-4	RTS-CON2	Orange	CN2-7	RTS-CON2	Orange
CN1-5	TXD-CON2	Blue	CN2-3	TXD-CON2	Blue
CN1-6	CTS-CON2	White	CN2-8	CTS-CON2	White
CN1-7	DTR-CON2	Purple	CN2-4	DTR-CON2	Purple
CN1-8	RI-CON2	Yellow	CN2-9	RI-CON2	Yellow
CN1-9	GND-CON2	Black	CN2-5	GND-CON2	Black
CN1-10	NC				