



Military Grade

Military Display

R15L100-MLC3HB

Feature:

- High Quality 15" Panel, 1024 x 768 resolution, 800 nits
- Aluminum Housing with Anti-Corrosion Treatments
- Military Grade connector with VESA mount.
- MIL-STD-810F/G
- Built-in Ambient Light sensor



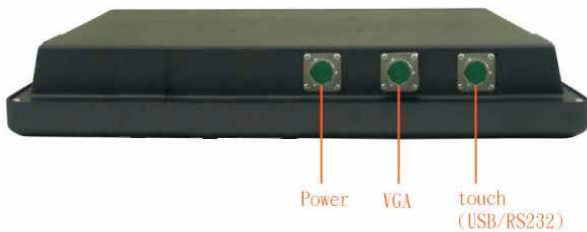
G-WIN

Option feature:

- 5 Wire Resistive Touch/ Anti-Reflective Protection Glass
- Wide Range 9 to 36V DC Input Acceptable
- Customized Military Connector type
- MIL-STD-461E/F (By Request)
- EMI Glass/Touch (By Request)



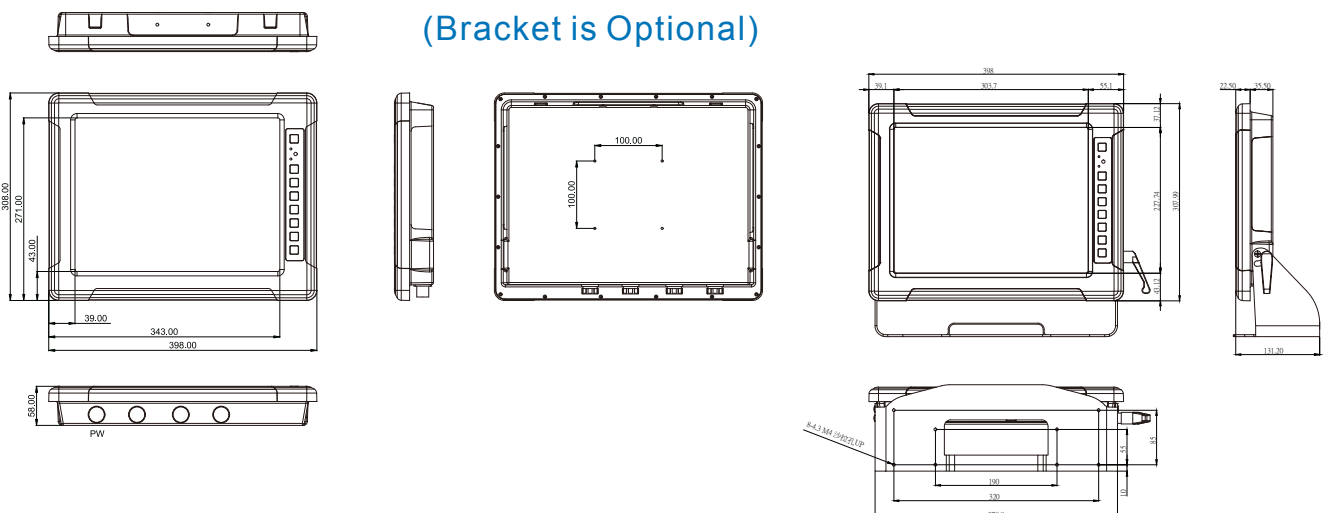
R15L100-MLC3HB



Test item	R15L100-MLC3HB
MIL-STD-810F/G *Vibration	✓
MIL-STD-810F/G *Shock	✓
MIL-STD-810F/G Humidity	✓
MIL-STD-810F/G Drop(Package)	✓
MIL-STD-810F/G High temperature	✓
MIL-STD-810F/G Low temperature	✓

* If you require external test report, Winmate will charge NRE fee.

Drawing w/ Mounting Bracket



Display Specification

Size : 15 inch
 Resolution : 1024x768 pixels
 Brightness : 800 (cd/m)
 Touch : 5 Wire Resistive (Optional)
 Glass : AR Glass (Default)

Mechanical and Environment

Dimensions (W x L x H) : 398 mm x 308 mm x 58mm
 Operation Temperature : -10 deg.C to 55 deg.C
 Operation Humidity : 10% to 95% (non condensing)
 Shock* : Operating:40g for 11ms
 Vibration* : Operating: 1.62/2.02/2.20g rms for XYZ / 5-500Hz

In Front Control

Control button : Power On/ Off, Menu,Auto, Brightness up& down, LED adjustment

LED indicator : Power Status, Sleep status

Environmental(MIL-STD 810F/G Compliance)

Vibration : MIL-STD-810F/G Method 514.5
 Humidity : MIL-STD-810F/G Method 507.4
 Transit Drop : MIL-STD-810F/G Method 516.5
 High Temperature : Storage:MIL-STD-810F/G Method501.4
 Operation:MIL-STD-810F/G Method501.4
 Low Temperature : Storage:MIL-STD-810F/G Method502.4
 Operation:MIL-STD-810F/G Method502.4

Environmental(MIL-STD 461 E/F Compliance)

RE : RE 101 / RE 102
 CE : CE 101 / CE 102
 Optional with EMI Glass / Touch
 CS : RS 101 /RS 103
 CS : CS 101 / CS 106 / CS 109 / CS 114
 CS 115 / Cs116

I/O Spec

Spec	R15L100-MLC3HB
Connector type	Mil Circular type
VGA	JY27466T11F35PN
USB/RS232	JY27466T11F35PN
Power (9~36V DC)	JY27466T09F98PN
Wide Voltage	9~36V (Isolated Power)
Optional Touch	Resistive
AR glass	Yes(default)
EMI glass/Touch	By Request

Environment Spec

Test Item	R15L100-MLC3HB
Dust/Water proof	IP 65 (except IO part)

Front OSD control function:

