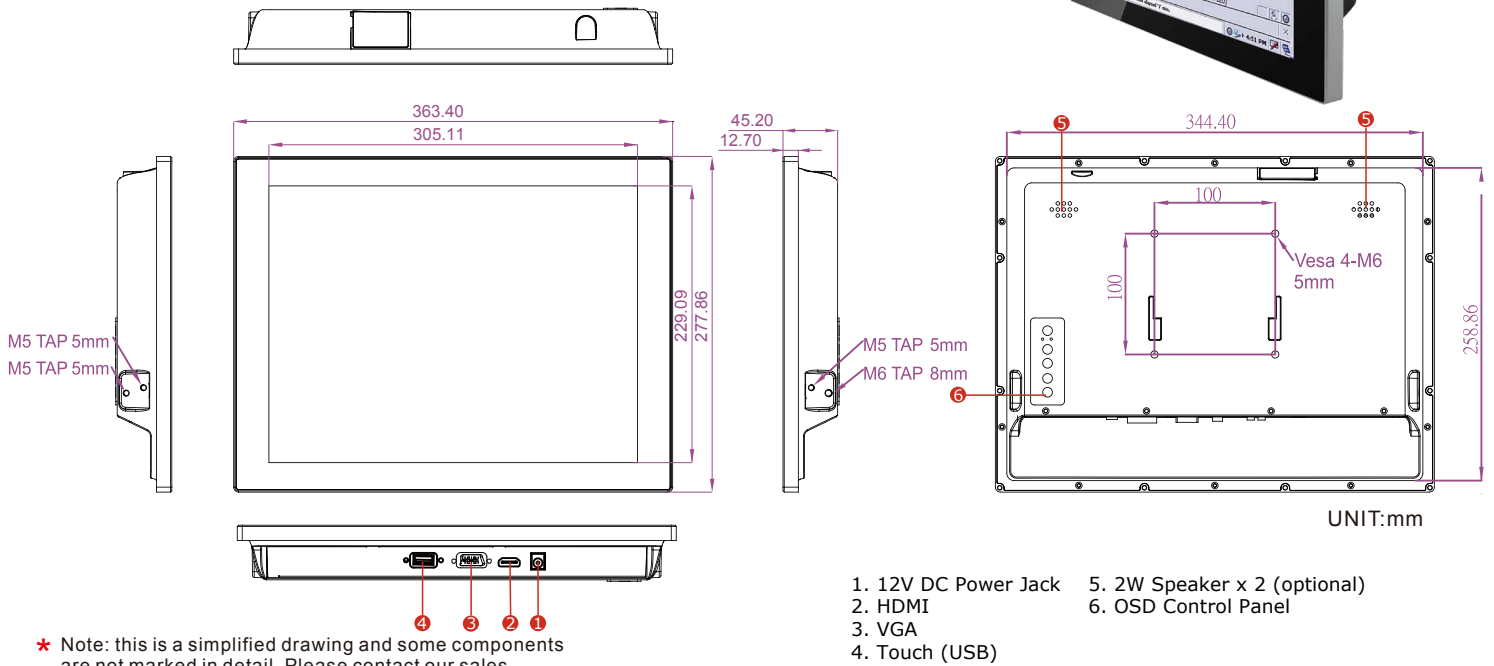


15" P-Cap Chassis Display - R15L600-PCC3(HB)

Features

- 15" 1024 x 768 Resolution
- Projected Capacitive Multi-Touch (P-Cap)
- Front IP65 Water and Dust Proof
- VGA input and variety of optional connectors
- USB port for touch
- Stylish and elegant design



* Note: this is a simplified drawing and some components are not marked in detail. Please contact our sales representative if you need further product information.

Specifications

Display Spec :

- Size/Type : 15" TFT
- Resolutions : 1024x768
- Brightness : 250cd/m² (typ.)
Optional for High brightness 1000 cd/m² (typ.)
- Contrast Ratio : 700 : 1 (typ.)
- Viewing Angle : -80~80(H);-70~70(V)
- Max Colors : 16.2M
- Touch : Projective-Capacitive Touch

Power Specification :

- Power Input : 12V DC, with External AC to DC Adapter (100~240V AC)
- Power Consumption : 25 W typical, normal operation

Environment Considerations :

- Operating Temperature : -10 °C to 55 °C
- Operating Humidity : 10% to 95% (non-condensing)
- IP Rating : Front IP65

Input Specifications :

- Input Ports : 1 x VGA
1 x HDMI
1 x 12V DC Power Jack
- USB Port (Touch) : 1 x USB 2.0
- Speaker (Optional) : 2 x 1 Watt speaker

Mechanical Specification :

- Mounting : VESA Mount (100x100mm)
- Dimensions (W x H x D) : 363.40 x 277.86 x 45.20 (mm)

Accessories

- Accessories : Power AC-DC Adapter(100V~240V)
: VGA cable (1.8m)
: HDMI cable (2m)
: USB cable (1.8m)