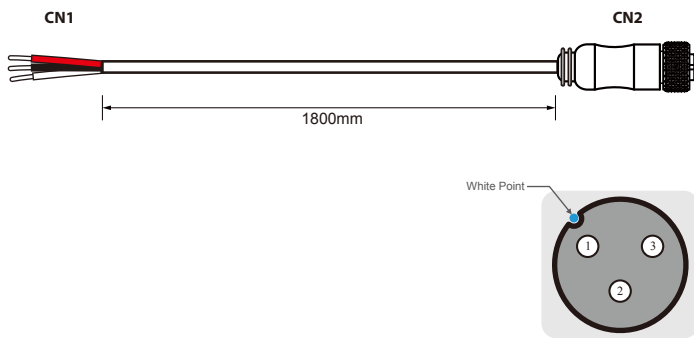


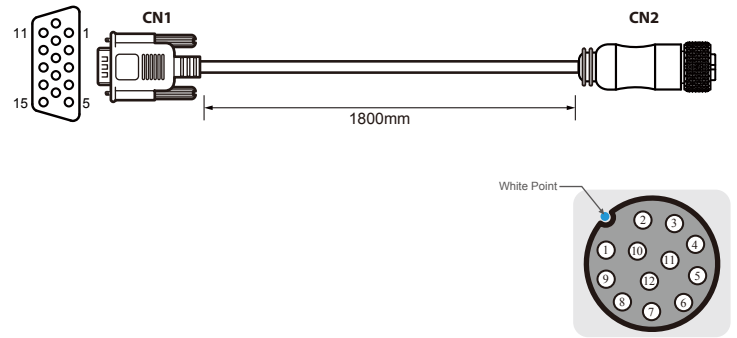
GS65 Display

M12 Power Cable



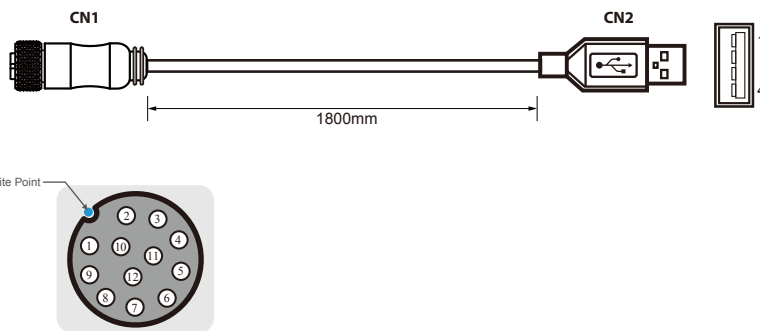
Pin No.	Symbols	Color	↔	Pin No.	Symbols	Color
CN1-1	VCC+	Red		CN2-1	VCC+	Red
CN1-2	GND	Black		CN2-2	GND	Black
CN1-3	VCC-	White		CN2-3	VCC-	White

VGA Cable



Pin No.	Symbols	Color	↔	Pin No.	Symbols	Color
CN1-1	R	Red		CN2-1	R	Red
CN1-6	R-GND	Black		CN2-2	R-GND	Black
CN1-5	G	Green		CN2-3	G	Green
CN1-7	G-GND	Black		CN2-4	G-GND	Black
CN1-3	B	Blue		CN2-5	B	Blue
CN1-8	B-GND	Black		CN2-6	B-GND	Black
CN1-12	SDA	Yellow		CN2-7	SDA	Yellow
CN1-13	HS	Orange		CN2-8	HS	Orange
CN1-14	VS	White		CN2-9	VS	White
CN1-15	SCL	Brown		CN2-10	SCL	Brown

USB for Touch Cable



Pin No.	Symbols	Color	↔	Pin No.	Symbols	Color
CN1-2	VCC	Red		CN2-1	VCC	Red
CN1-3	D-	White		CN2-2	D-	White
CN1-4	D+	Green		CN2-3	D+	Green
CN1-5	GND	Black		CN2-4	GND	Black
CN1-9	GND	Black		CN2 Shell		Black