

# Open Frame LCD

## Open Frame LCD

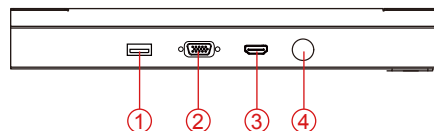
10.1"

### Specifications



|                                |   |
|--------------------------------|---|
| Model Name                     | W10L100-POH2  |
| Panel Size                     | 10.1"   |
| Active Display Area(mm)        | 216.96(H)x135.60(V)   |
| Resolution                     | 1280 x 800  |
| Brightness(cd/m2)              | 350 (Typical)   |
| Contrast Ratio                 | 800:1 (Typical)   |
| Viewing Angles(CR>=10 L/R/U/D) | -85~85(H) ; -85~85(V)   |
| Display Colors                 | 16.7M (8 bits/color)  |
| Standard Input Signal          | 1 x VGA (D-sub 15)<br>1 x HDMI (Type-A)                               |
| Touch Screen                   | Projected Capacitive  |
| Touch Interface                | USB   |
| Audio / Speakers (Optional)*   | Audio line in (3.5mm) + Speaker x2                                    |
| OSD                            | 5 Keys: -, +, Power, Esc, Enter                                       |
| Power Input                    | 12V DC input (2.5ψ)<br>with external AC-DC Adapter (100V~240V)        |
| Power Consumption              | 10W typical, Normal operation   |
| Operating Temperature          | 0~50°C  |
| Storage Temperature            | -10~60°C  |
| Accessories                    | Power AC-DC Adapter(100V~240V)<br>VGA cable (1.8m)<br>HDMI cable (2m) |

\*Outside dimension and I/O will be different from standard

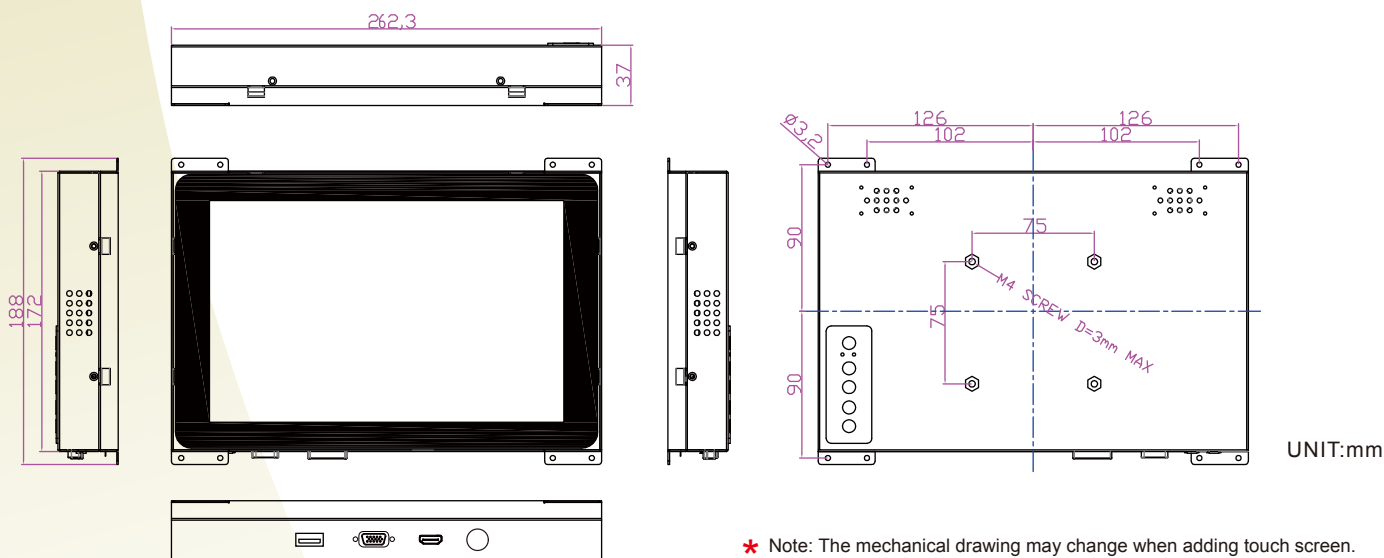


1. Touch
2. VGA
3. HDMI
4. DC input

### I/O Options

|           |   |
|-----------|---|
| Option 1* | 1 x VGA (D-sub 15)<br>1 x HDMI (Type-A)<br>1 x DVI-D            |
| Option 2* | 1 x VGA (D-sub 15)<br>1 x DVI-D<br>1 x S-Video<br>1 x Composite |

### Mechanical Drawing



\* Note: The mechanical drawing may change when adding touch screen. Please contact our sales representative if you need further product information.