

# 21.5" P-Cap Chassis Display - W22L100-PCA3

## Features

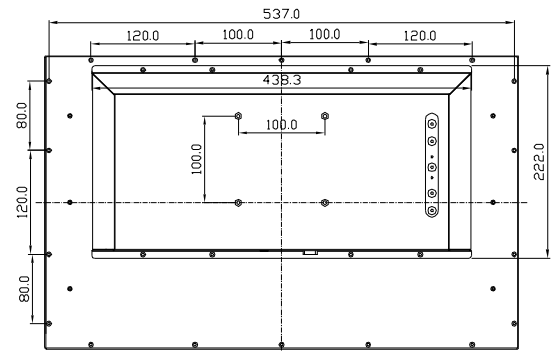
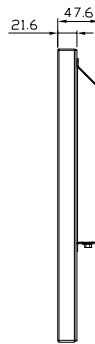
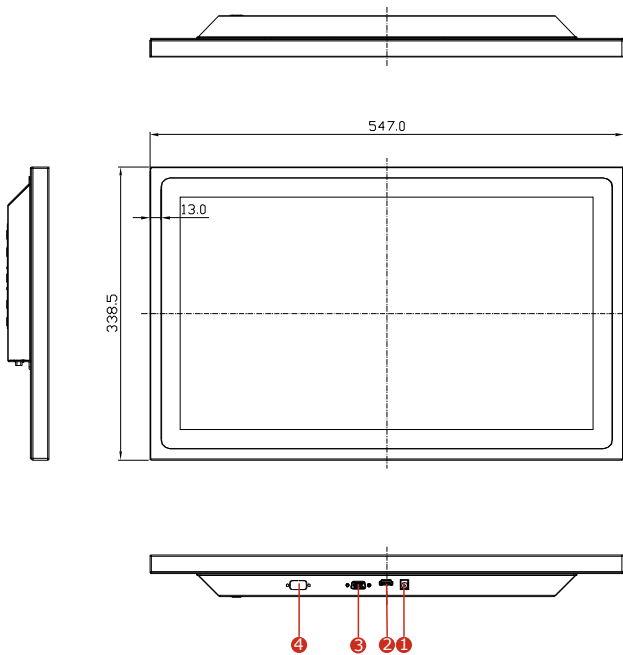
- 21.5" 1920 x 1080 Resolution
- Projected Capacitive Multi-Touch (P-Cap)
- Front IP65 Water and Dust Proof
- VGA input and variety of optional connectors
- USB port for touch
- Stylish and elegant design



FRONT VIEW

SIDE VIEW

BACK VIEW



1. 12V DC Power Jack
2. HDMI
3. VGA
4. Touch (USB)
5. 2W Speaker x 2 (optional)
6. OSD Control Panel

## Specifications

### Display Specifications :

- |                  |  |
|------------------|--|
| • Size / Type    | : 21.5 " TFT                               |
| • Resolution     | : 1920x1080                                |
| • Brightness     | : 250 (typ.)                               |
| • Contrast Ratio | : 3000:1 (typ.)                            |
| • Viewing Angle  | : 170 (H); 160 (V)                         |
| • Max Colors     | : 16.7M (8bits/color)                      |
| • Touch Screen   | : Projected Capacitive Multi-Touch (P-CAP) |

### Power Considerations

- |                     |  |
|---------------------|--|
| • Power Input       | : DC 12V input, with External AC-DC Adapter (100-240V) |
| • Power Consumption | : 40W typical, normal operation                        |

### Environment

- |                         |                              |
|-------------------------|------------------------------|
| • Operating Temperature | : -10 °C to 55 °C            |
| • Operating Humidity    | : 5% to 95% (non-condensing) |
| • IP Rating             | : Front IP65                 |

### Input / Output

- |                     |  |
|---------------------|--|
| • Input Ports       | : 1 x VGA<br>1 x HDMI<br>1 x 12V DC Power Jack |
| • USB Port (Touch)  | : 1 x USB 2.0                                  |
| • Speaker(optional) | : 2 x 1 Watt speaker                           |

### Mechanical Specification

- |                         |                          |
|-------------------------|--------------------------|
| • Cooling System        | : Fanless design         |
| • Mounting              | : VESA Mount (100x100mm) |
| • Dimensions (W x H xD) | : 547 x 338.5 x 47.6 mm  |

### Accessory

- |               |   |
|---------------|---|
| • Accessories | : Power AC-DC Adapter(100V~240V)<br>: VGA cable (1.8m)<br>: HDMI cable (2m)<br>: USB cable (1.8m) |
|---------------|---|

